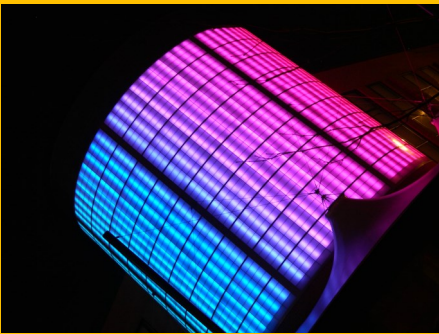


Commercial Lighting Solutions



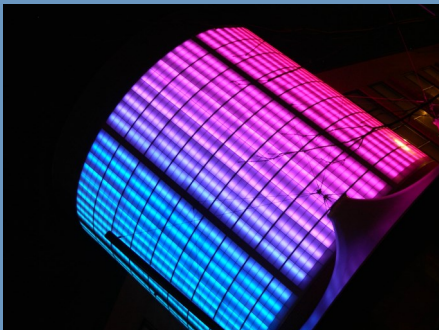
Designers and Manufacturers

ALD lighting was established in 1988, primarily to provide a design and manufacturing service to others within the lighting industry. As the business progressively developed, our success enabled us to further reinforce the resources available to establish a corporate identity as a leading supplier of bespoke and standard luminaires.

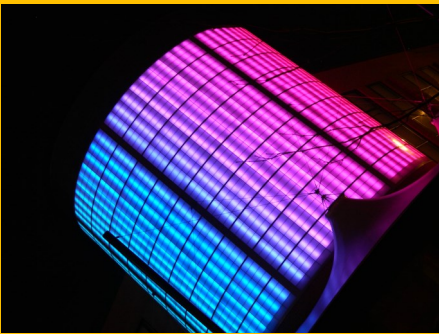
Modern buildings require a high diverse range of services specifically designed to satisfy the requirements of mainly its occupants, lighting being a major necessity it generally brings its own unique challenges to correctly and efficiently provide this. We at ALD know the need to treat each project individually, developing bespoke solutions for every project circumstance.

We strive to add value and hopefully contribute in turn a basis for our customers success by our commitment in providing first class technical lighting and scheme design, along with tried and tested methods of manufacture, enabling us to supply energy efficient cost effective, quality assured products.

We hope our product range covers most requirement applications however, our technical and sales team are always on hand to advise on any lighting product or scheme design requirement.



Commercial Lighting Solutions



Lina 50 ACU

Stylish suspended standalone direct/indirect Acoustic LED available with various felt colour options .

- Classrooms
- Offices
- Hospitals
- Meeting Rooms
- Atriums



Features

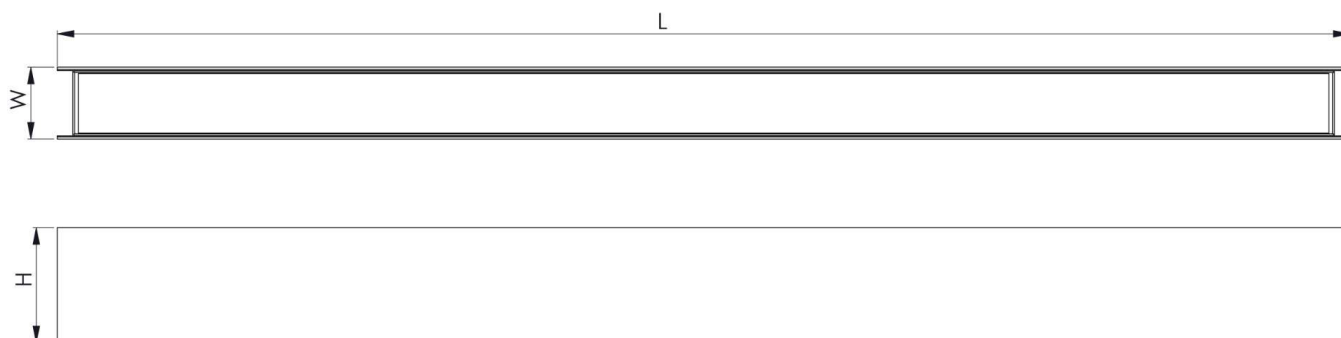
- Extruded aluminium body epoxy powder coated all RAL options available
- Stand alone
- Direct/Indirect
- Acoustic baffles (Option of colours)
- Philips LED and driver system for optimum performance
- Premium white Ra90 LED module available

Options

- Micro-prism optic – **(MP19)**
- Opal PMMA – **(OP)**
- Tuneable white – **(TW)**
- DALI – **(DA)**
- Casambi wireless bluetooth control **(BTC)**
- CRI 90 – **(Ra9)**
- Standard 3hr emergency – **(M3)**
- DALI monitored emergency – **(D3)**

Lina 50 ACU

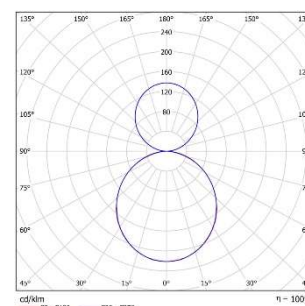
Dimensions



W = 50mm x L = 1159/1439mm x H = 99mm

Product Code

LIN5-21-4K-WH-M***	LINA 50, 21w, 4K, 2,644lm, 1159mm body c/w acoustic felt baffle
LIN5-29-4K-WH-M***	LINA 50, 29w, 4K, 3,644lm, 1159mm body c/w acoustic felt baffle
LIN5-43-4K-WH-M***	LINA 50, 43w, 4K, 4,953lm, 1159mm body c/w acoustic felt baffle
LIN5-26-4K-WH-M***	LINA 50, 26w, 4K, 3,392lm, 1439mm body, c/w acoustic felt baffle
LIN5-37-4K-WH-M***	LINA 50, 37w, 4K, 4,622lm, 1439mm body, c/w acoustic felt baffle
LIN5-54-4K-WH-M***	LINA 50, 54w, 4K, 6,354lm, 1439mm body, c/w acoustic felt baffle

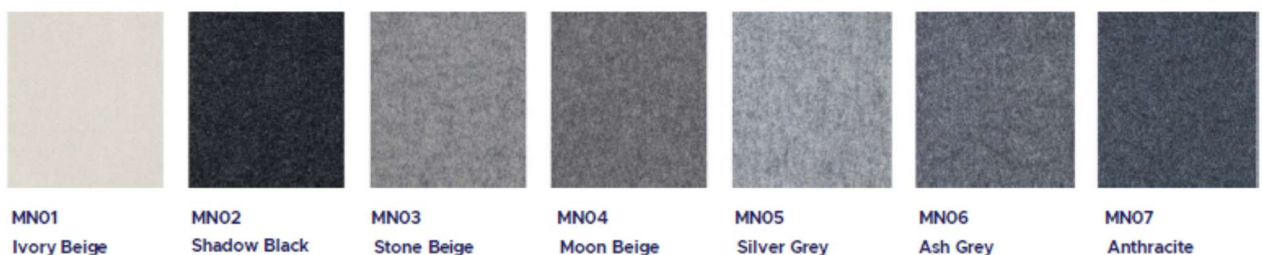


Lina 50 ACU

Material colour



Natural colour:



A decorative modern square acoustic pendant mounted LED with options of body sizes.

- Receptions
- Offices
- Communal Areas
- Education
- Public Places



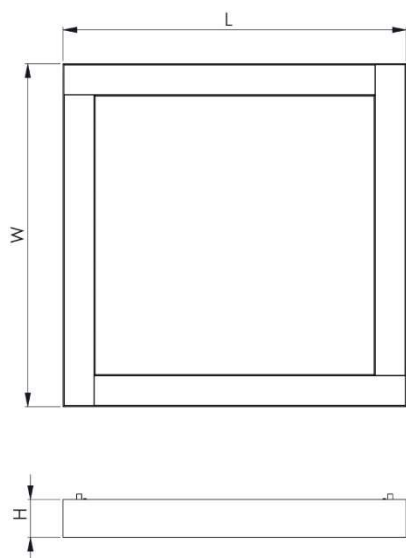
Features

- Extruded aluminium section
- PMMA UV stabilized opal acrylic diffuser
- Acoustic wadding
- Epoxy powder coated RAL9003 (Other colour options available on request)
- IP40

Options

- Integrated 3hr emergency -Standard (**M3**) – Self-Testing Emergency (**STE**)
- DALI Monitored Emergency (**DA3**)
- DALI (**DA**)
- Casambi Wireless Control (**BTC**)
- Micro-Prism UGR<19 diffuser (**MPO**)
- Suspension kit (**SUS/2M**)

Dimensions



L – 600 / 900 / 1200 x W – 600 / 900 / 1200 x H - 68mm

Product Code

OAC-24-4K-WH	Ouse ACU, 24w, 4K, 2,807lm. 600mm x 600mm body finished RAL9003
OAC-34-4K-WH	Ouse ACU, 34w, 4K, 3,825lm. 600mm x 600mm body finished RAL9003
OAC-50-4K-WH	Ouse ACU, 50w, 4K, 5,258lm. 600mm x 600mm body finished RAL9003
OAC-36-4K-WH	Ouse ACU, 36w, 4K, 3,765lm. 900mm x 900mm body finished RAL9003
OAC-52-4K-WH	Ouse ACU, 52w, 4K, 5,124lm. 900mm x 900mm body finished RAL9003
OAC-77-4K-WH	Ouse ACU, 77w, 4K, 6,949lm. 900mm x 900mm body finished RAL9003
OAC-48-4K-WH	Ouse ACU, 48w, 4K, 5,020lm. 1200mm x 1200mm body finished RAL9003
OAC-70-4K-WH	Ouse ACU, 70w, 4K, 6,832lm. 1200mm x 1200mm body finished RAL9003
OAC-103-4K-WH	Ouse ACU, 103w, 4K, 9,265lm. 1200mm x 1200mm body finished RAL9003

** Suffix end of code **(M3)** for emergency facility or **(DA)** for DALI/Switch DIM or **(BTC)** for Casambi Wireless Control

**Example: OAC-52-4K-WH-DA

Ouse ACU 52w, 5,124lm, 4K, white c/w DALI

A decorative modern polo acoustic pendant mounted LED luminaire with options of body sizes & wattages.

- Corridors
- Offices
- Communal Areas
- Education
- Public Places



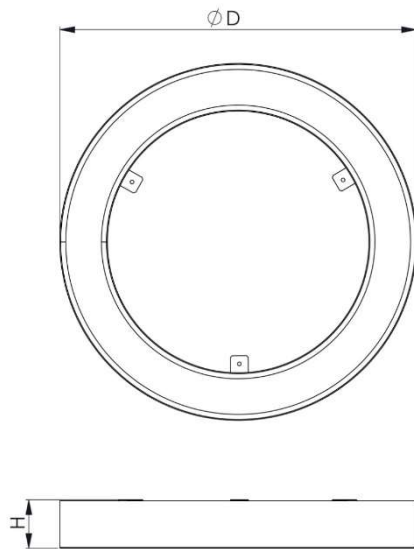
Features

- Rolled steel body
- PMMA UV stabilized acrylic
- Acoustic wadding
- Epoxy powder coated RAL9003 (Other colour options available on request)
- IP40

Options

- Integrated 3hr emergency -Standard (**M3**) – Self-Testing Emergency (**STE**)
- DALI Monitored Emergency (**DA3**)
- DALI (**DA**)
- Casambi Wireless Control (**BTC**)
- Micro-Prism UGR<19 diffuser (**MPO**)
- Suspension kit (**SUS/2M**)
- Colour options (**RAL******)

Dimensions



D – 600 / 900 / 1200mm x H - 80mm

Product Code

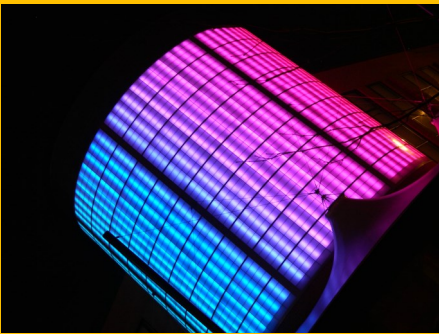
TAC-17-4K-WH	Trinity Acoustic, 17w, 4K, 2,014lm. 600mm, body finished RAL9003
TAC-24-4K-WH	Trinity Acoustic, 24w, 4K, 2,744lm. 600mm, body finished RAL9003
TAC-35-4K-WH	Trinity Acoustic, 35w, 4K, 3,772lm. 600mm, body finished RAL9003
TAC-27-4K-WH	Trinity Acoustic, 27w, 4K, 3,295lm. 900mm, body finished RAL9003
TAC-38-4K-WH	Trinity Acoustic, 38w, 4K, 4,491lm. 900mm, body finished RAL9003
TAC-55-4K-WH	Trinity Acoustic, 55w, 4K, 6,172lm. 900mm, body finished RAL9003
TAC-35-4K-WH	Trinity Acoustic, 35w, 4K, 4,394lm. 1200mm, body finished RAL9003
TAC-50-4K-WH	Trinity Acoustic, 50w, 4K, 5,987lm. 1200mm, body finished RAL9003
TAC-73-4K-WH	Trinity Acoustic, 73w, 4K, 8,231lm. 1200mm, body finished RAL9003

** Suffix end of code (**M3**) for emergency facility or (**DA**) for DALI/Switch DIM or (**BTC**) for Casambi Wireless Control or (**MW1**) Microwave sensor

**Example: TAC-38-4K-WH-BTC

Trinity Acoustic, 38w, 4,191lm, 4K, white c/w Casambi

Commercial Lighting Solutions



Corner mounted Anti-Vandal luminaire c/w anti-tamper fixings .

- Railways
- Subways
- Underground passages
- Prison
- Psychiatric Unit
- Mental Health



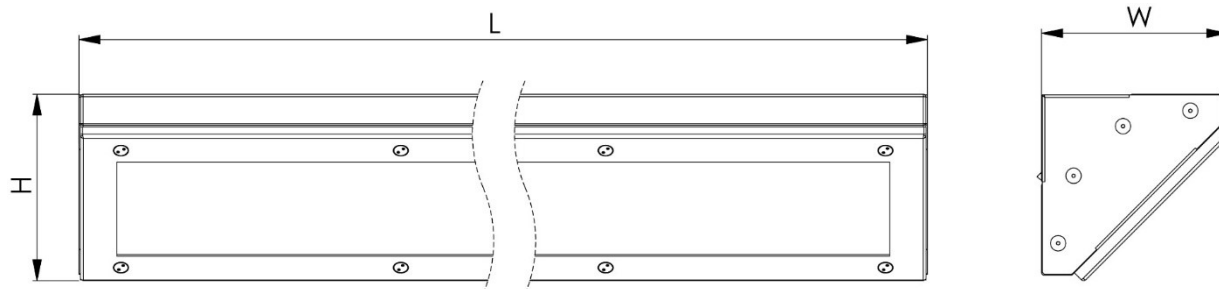
Features

- Fabricated sheet metal housing, fully welded construction
- Opal UV stabilised polycarbonate diffuser 850° glow wire
- Epoxy power coated RAL9016 as standard
- Stainless Steel anti-tamper fixings
- Branded LED boards & Driver
- IP65
- IK10+ Mechanical impact resistance

Options

- Integrated 3hr emergency -Standard (**M3**) – Self Testing (**STE**)
- DALI (**DA**)
- DALI Monitored emergency (**D3**)
- Microwave Sensor (**MW1**)
- Casambi Wireless Control (**BTC**)
- Custom body finishes available on request (**RAL**)

Dimensions



Product Code

TRA-13-4K-WH	Trend 13w, 4K, 1,548lm, 380mm L x 135mm W x 135mm H
TRA-19-4K-WH	Trend 19w, 4K, 2,334lm, 660mm L x 135mm W x 135mm H
TRA-28-4K-WH	Trend 28w, 4K, 3,502lm, 940mm L x 135mm W x 135mm H
TRA-38-4K-WH	Trend 38w, 4K, 4,668lm, 1220mm L x 135mm W x 135mm H
TRA-55-4K-WH	Trend 55w, 4K, 5,295lm, 1500mm L x 135mm W x 135mm H

** Suffix WH to RAL for Custom body finish

** Suffix end of code (M3) for emergency facility or (MW1) for Microwave sensor

Example: TRA-38-4K-WH-M3-MW1

Trend - A c/w 3hr Emergency and Microwave sensor

Recessed Anti-Vandal luminaire c/w anti-tamper fixings .

- Railways
- Subways
- Underground passages
- Prison
- Psychiatric Unit
- Mental Health



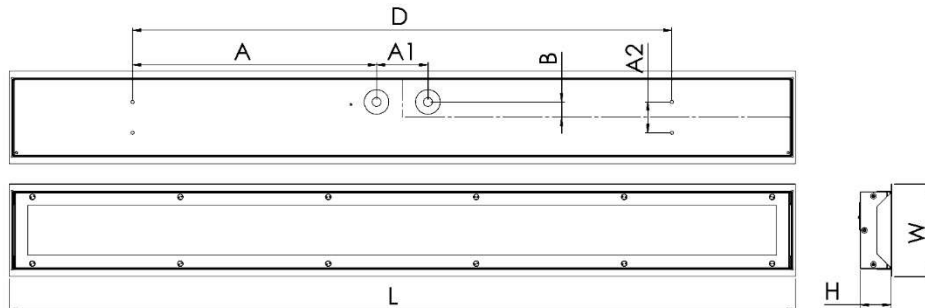
Features

- Fabricated sheet metal housing, fully welded construction
- Opal UV stabilised polycarbonate diffuser 850° glow wire
- Epoxy power coated RAL9016 as standard
- Stainless Steel anti-tamper fixings
- Branded LED boards & Driver
- IP65
- IK10+ Mechanical impact resistance

Options

- Integrated 3hr emergency -Standard (**M3**) – Self Testing (**STE**)
- DALI (**DA**)
- DALI Monitored emergency (**D3**)
- Microwave Sensor (**MW1**)
- Casambi Wireless Control (**BTC**)
- Custom body finishes available on request (**RAL**)

Dimensions



L, mm	W, mm	H, mm	D, mm	A, mm	A ₁ , mm	A ₂ , mm	B, mm
410	180	65	300	100	100	60	30
690			450	175			
970			600	250			
1250			900	400			
1530			1050	525			

Product Code

TRR-13-4K-WH	Trend 13w, 4K, 1,548lm, 410mm L x 180mm W x 65mm H
TRR-19-4K-WH	Trend 19w, 4K, 2,334lm, 690mm L x 180mm W x 65mm H
TRR-28-4K-WH	Trend 28w, 4K, 3,502lm, 970mm L x 180mm W x 65mm H
TRR-38-4K-WH	Trend 38w, 4K, 4,668lm, 1250mm L x 180mm W x 65mm H
TRR-41-4K-WH	Trend 41w, 4K, 5,295lm, 1530mm L x 180mm W x 65mm H

** Suffix WH to RAL for Custom body finish

** Suffix end of code (**M3**) for emergency facility or (**MW1**) for Microwave sensor

Example: TR1-38-4K-WH-M3-MW1

Trend - R c/w 3hr Emergency and Microwave sensor

Surface mounted Anti-Vandal luminaire c/w anti-tamper fixings .

- Railways
- Subways
- Underground passages
- Prison
- Psychiatric Unit
- Mental Health



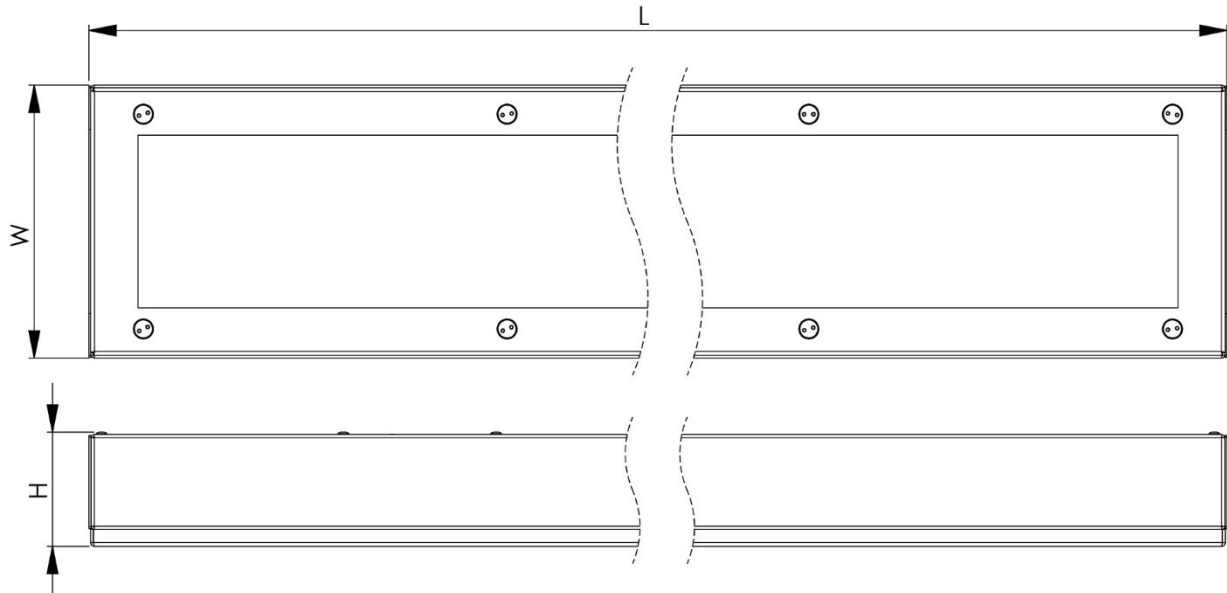
Features

- Fabricated sheet metal housing, fully welded construction
- Opal UV stabilised polycarbonate diffuser 850° glow wire
- Epoxy power coated RAL9016 as standard
- Stainless Steel anti-tamper fixings
- Branded LED boards & Driver
- IP65
- IK10+ Mechanical impact resistance

Options

- Integrated 3hr emergency -Standard (**M3**) – Self Testing (**STE**)
- DALI (**DA**)
- DALI Monitored emergency (**D3**)
- Microwave Sensor (**MW1**)
- Casambi Wireless Control (**BTC**)
- Custom body finishes available on request (**RAL**)

Dimensions



Product Code

TRS-13-4K-WH	Trend S 13w, 4K, 1,548lm, 380mm L x 150mm W x 65mm H
TRS-19-4K-WH	Trend S 19w, 4K, 2,334lm, 660mm L x 150mm W x 65mm H
TRS-28-4K-WH	Trend S 28w, 4K, 3,502lm, 940mm L x 150mm W x 65mm H
TRS-38-4K-WH	Trend S 38w, 4K, 4,668lm, 1220mm L x 150mm W x 65mm H
TRS-41-4K-WH	Trend S 55w, 4K, 5,295lm, 1500mm L x 150mm W x 65mm H

** Suffix WH to RAL for Custom body finish

** Suffix end of code (**M3**) for emergency facility or (**MW1**) for Microwave sensor

Example: TRS-38-4K-WH-M3-MW1

Trend - S c/w 3hr Emergency and Microwave sensor

Wall mounted Anti-Vandal luminaire c/w anti-tamper fixings .

- Railways
- Subways
- Underground passages
- Prison
- Psychiatric Unit
- Mental Health



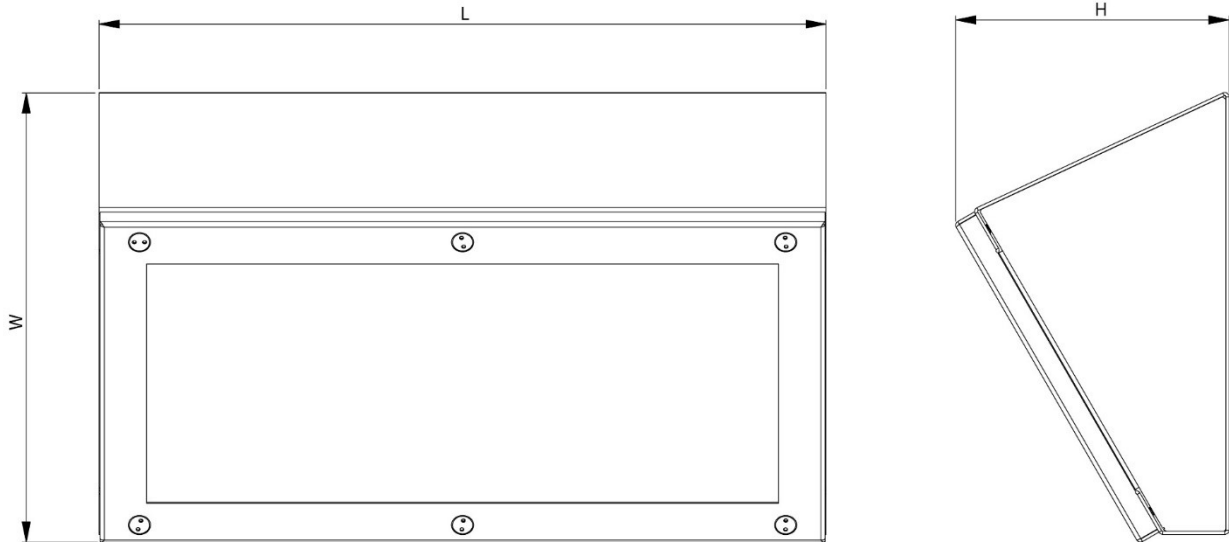
Features

- Fabricated sheet metal housing, fully welded construction
- Opal UV stabilised polycarbonate diffuser 850° glow wire
- Epoxy power coated RAL9016 as standard
- Stainless Steel anti-tamper fixings
- Branded LED boards & Driver
- IP65
- IK10+ Mechanical impact resistance

Options

- Integrated 3hr emergency -Standard (**M3**) – Self Testing (**STE**)
- DALI (**DA**)
- DALI Monitored emergency (**D3**)
- Casambi Wireless Control (**BTC**)
- Custom body finishes available on request (**RAL**)

Dimensions



Product Code

TRW-11-4K-WH Trend W 11w, 4K, 1,208lm, 390mm L x 110mm W x 150mm H

TRW-13-4K-WH Trend W 13w, 4K, 2,526lm, 390mm L x 110mm W x 150mm H

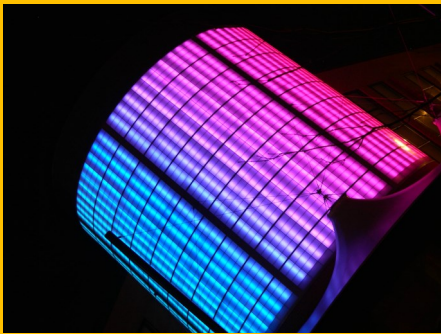
** Suffix WH to RAL for Custom body finish

** Suffix end of code (**M3**) for emergency facility or (**MW1**) for Microwave sensor

Example: TRS-38-4K-WH-M3

Trend - W c/w 3hr Emergency

Commercial Lighting Solutions



Wall mounted accent up/downlighter IP65 2 x 60° optic

- Landscapes
- Perimeters
- Door Entrance
- Façade illumination



Features

- Die-Cast aluminium body
- Tempered glass impact resistant diffuser
- RAL 7043
- Stainless Steel anti-tamper fixings
- 60° x 60° Optic
- IP54
- IK08 Mechanical impact resistance

Product Code

AUS-6-4K-7043

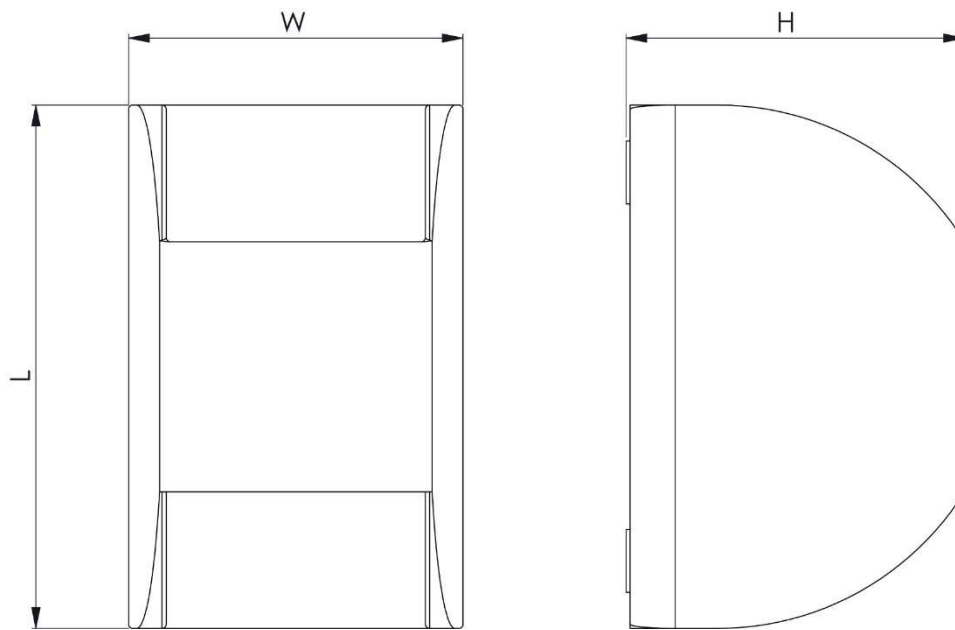
AUSTIN 6w, 4K wall mount 510lm 125mm L x 90mm W x 80mm H

** Suffix 4K to 3K FOR 3000 Kelvin

Example: AUS-6-3K-7043

Austin 6w, c/w 3000K LED

Dimensions



- Landscapes
- Perimeters
- Door Entrance
- Façade illumination



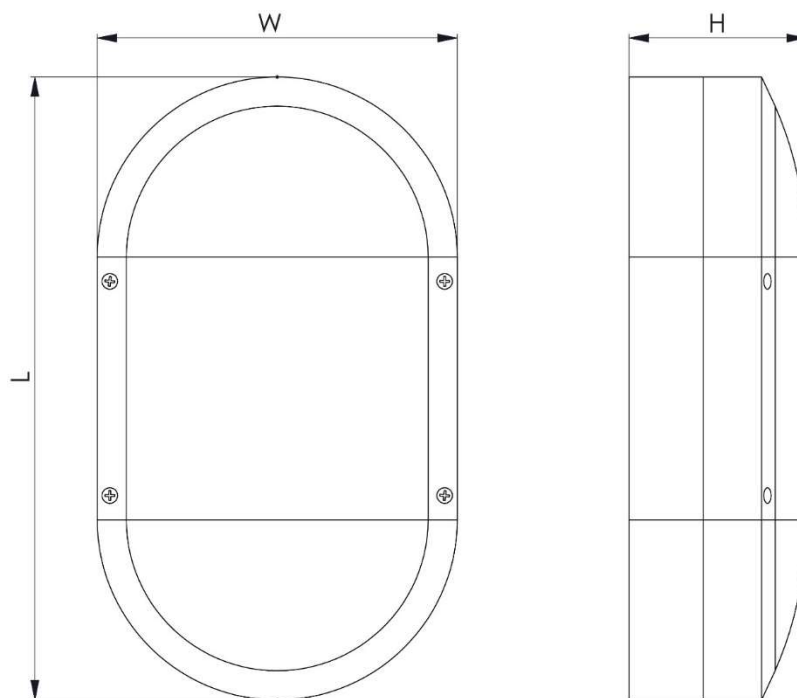
Features

- Die-Cast aluminium body
- Polycarbonate impact resistant diffuser
- RAL 7043
- Stainless Steel anti-tamper fixings
- 60° x 60° Optic
- IP54
- IK08 Mechanical impact resistance

Options

- Custom Paint Finish (RAL)

Dimensions



Product Code

BKL-10-4K-O-7043	BERKLEY, 10w, Open face, 835lm, L 280mm x W 185mm x H 95mm
BKL-7-4K-H-7043	BERKLEY, 7w, Eyelid, 451lm, L 280mm x W 185mm x H 95mm

** Suffix 4K to 3K FOR 3000 Kelvin

Example: BKL-10-3K-7043

Berkley 10w c/w 3000K LED finished RAL7043

Accent wall/Ceiling mounted wall washer IP66 c/w stainless steel adjustable bracketry

- Landscapes
- Signage
- Underground passages
- Façade illumination



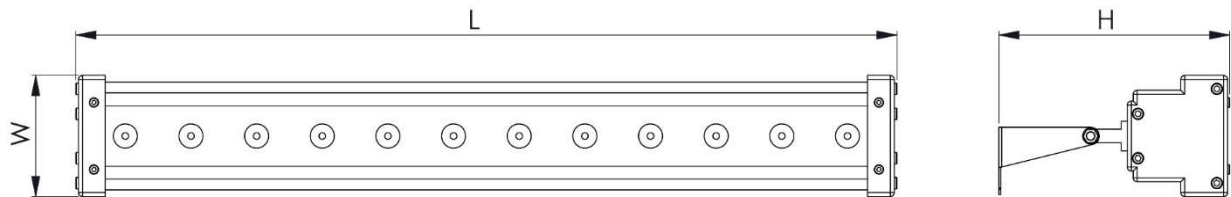
Features

- Extruded aluminium body
- Tempered glass impact resistant diffuser
- Anodised grey finish
- Stainless Steel anti-tamper fixings
- 30° x 30° Optic
- IP66
- IK09 Mechanical impact resistance

Options

- Remote 3hr emergency -Standard (**RM3**) – Self Testing (**RSTE**)
- DALI (**DA**)
- Casambi Wireless Control (**BTC**)
- Through Wiring IP68 connectors (**TWC**)

Dimensions



Product Code

CY-15-4K-SL	CYPRUS 15w, 4K wall washer 1,900lm 705mm L x 82mm W x 164mm H
CY-22-4K-SL	CYPRUS 22w, 4K wall washer 2,370lm 705mm L x 82mm W x 164mm H
CY-29-4K-SL	CYPRUS 29w, 4K wall washer 3,162lm 705mm L x 82mm W x 164mm H
CY-30-4K-SL	CYPRUS 30w, 4K wall washer 3,794lm 1265mm L x 82mm W x 164mm H
CY-42-4K-SL	CYPRUS 42w, 4K wall washer 4,750lm 1265mm L x 82mm W x 164mm H
CY-59-4K-SL	CYPRUS 59w, 4K wall washer 6,324lm 1265mm L x 82mm W x 164mm H

** Suffix 4K to 3K FOR 3000 Kelvin

** Suffix end of code (**RM3**) for emergency facility

Example: CY-22-3K-SL-RM3

Cyprus 22w, 3K, c/w remote 3hr emergency facility

- Landscapes
- Point Source
- Shrubbery
- Façade illumination



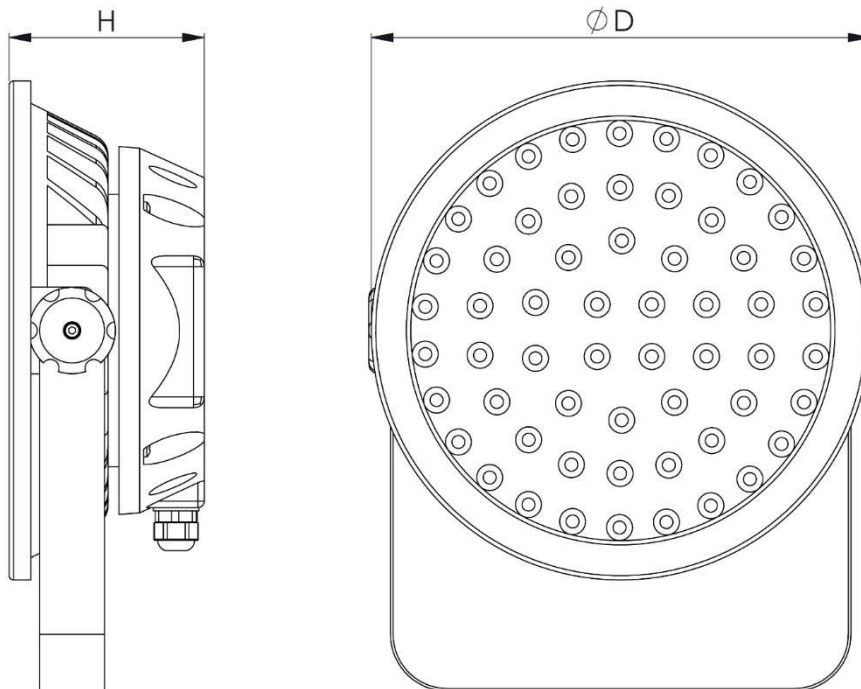
Features

- Die-Cast aluminium body
- Polycarbonate impact resistant diffuser
- RAL 7043
- Stainless Steel anti-tamper fixings
- Optic Options
- IP66
- IK08 Mechanical impact resistance

Options

- Custom Paint Finish (RAL)
- DALI (DA)
- 15° x 15° optic (L15)
- 30° x 30° optic (L30)
- 50° x 50° optic (L50)

Dimensions



Product Code

WNS-8-4K-7043-L30 WINDSOR, 8w, L30 optic, 1,061lm, D 120mm x H 90mm

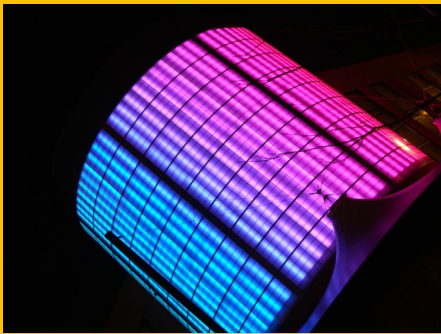
WNS-10-4K-7043-L30 WINDSOR, 10w, L30 optic, 1,391lm, D 120mm x H 90mm

** Suffix 4K to 3K FOR 3000 Kelvin

Example: WNS-10-3K-7043-DALI

Windsor 10w, 3000K LED finished RAL7043 c/w DALI

Commercial Lighting Solutions



Low glare LED downlight, IP44 with die-cast body and minimal bezel in white RAL9010

- Corridors
- Offices
- Toilets
- Break-Out



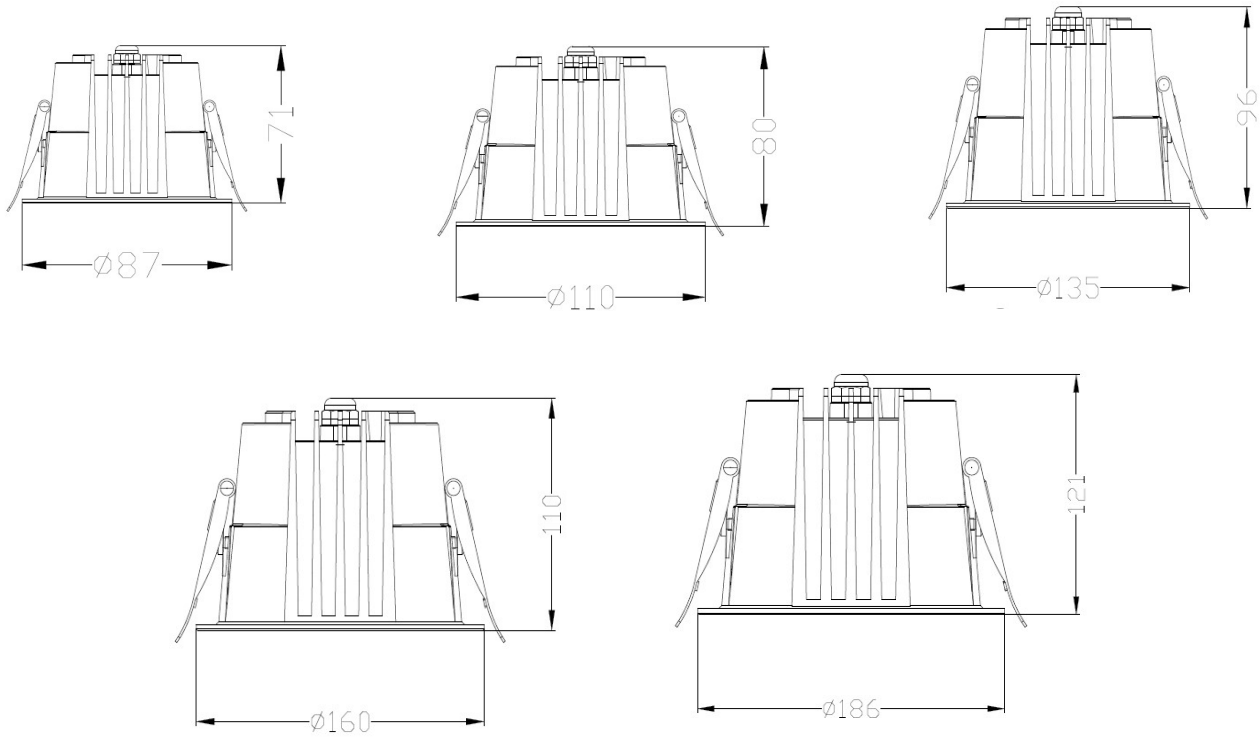
Features

- Samsung, Philips, Cree LED chip with Vossloh or Tridonic Driver
- Die-Cast body and bezel – RAL9010 white
- Highly specular reflector 60° as standard
- 24° specular reflector option
- Ra90 supplied as standard
- Life >60,000h (L70/B10)

Options

- DALI dimming – **(DA)**
- Remote 3hr emergency – **(M3)**
- Remote self-test 3hr emergency - **(STE)**
- Remote DALI monitored emergency – **(D3)**
- Casambi Wireless control – **(BTC)**
- IP65 clear lens – **(65)**
- 24° specular reflector – **(24)**

Dimensions



Product Code

AL87-10-4K-WH	Alba, 10w, 6,00lm, 87mm bezel dia, 75mm cut-out, white bezel
AL110-12-4K-WH	Alba, 12w, 9,60lm, 110mm bezel dia, 100mm cut-out, white bezel
AL110-15-4K-WH	Alba, 15w, 1,200lm, 110mm bezel dia, 100mm cut-out, white bezel
AL135-20-4K-WH	Alba, 20w, 1,600lm, 135mm bezel dia, 125mm cut-out, white bezel
AL135-25-4K-WH	Alba, 25w, 2,000lm, 135mm bezel dia, 125mm cut-out, white bezel
AL160-25-4K-WH	Alba, 25w, 2,000lm, 160mm bezel dia, 150mm cut-out, white bezel
AL160-30-4K-WH	Alba, 30w, 2,400lm, 160mm bezel dia, 150mm cut-out, white bezel
AL160-35-4K-WH	Alba, 35w, 2,800lm, 160mm bezel dia, 150mm cut-out, white bezel
AL186-40-4K-WH	Alba, 40w, 3,200lm, 186mm bezel dia, 175mm cut-out, white bezel
AL186-45-4K-WH	Alba, 45w, 3,600lm, 186mm bezel dia, 175mm cut-out, white bezel

** Suffix 4K to 3K for 3000 Kelvin **

** Suffix end of code with option requirements**

Low profile IP54 LED downlighter, CCT switchable, satin diffuser, finished white RAL9003

- Corridors
- Offices
- Receptions
- Break-Out



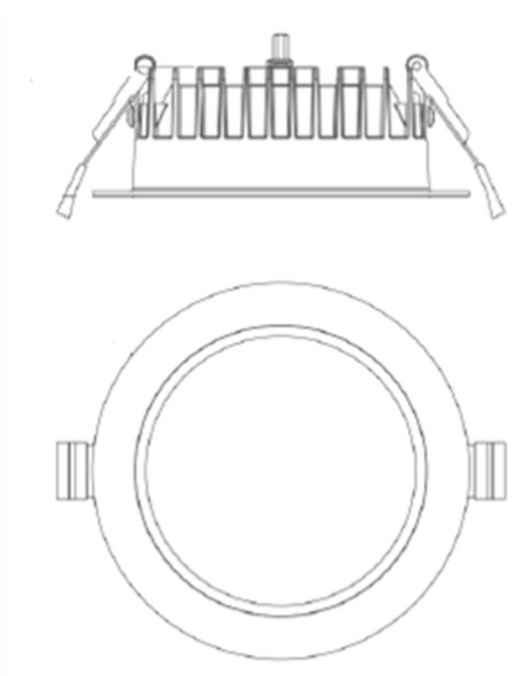
Features

- SMD 2835 LED board, 50,000hrs (L70)
- Switchable CCT (3K, 4K, 5K)
- CRI >80
- IP54

Options

- DALI dimming – **(DA)**
- Casambi Wireless Control **(BTC)**
- 3hr Emergency – **(M3)**
- 3hr Self-Testing emergency – **(STE)**
- DALI Monitored emergency – **(D3)**

Dimensions



Bezel Diameter & Cut-Out

BXS 12 - 140mm D x 125mm Cut-Out

BXS 18 - 190mm D x 166mm Cut-Out

BXS 25 - 225mm D x 205mm Cut-Out

Product Code

BXS-12-CCT-WH	Bexley, 12w, 1,561lm, 140mm dia, CCT switchable, white bezel
BXS-18-CCT-WH	Bexley, 18w, 2,354lm, 190mm dia, CCT switchable, white bezel
BXS-25-CCT-WH	Bexley, 25w, 3,416lm, 225mm dia, CCT switchable, white bezel

Suffix end of code with required option

Capri – 70

Low glare LED downlight, IP54 with die-cast bezel in brilliant RAL9003

- Domestic Dwellings
- Offices
- Schools



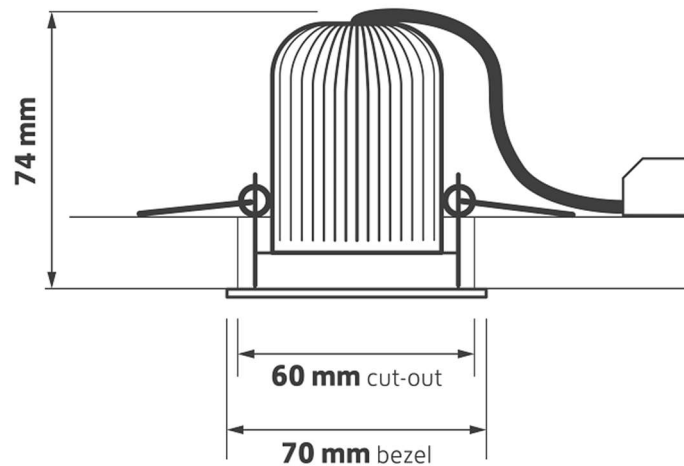
Features

- Professional, minimal IP54 LED downlight
- Die-cast low profile bezel, white RAL9003
- Injection moulded 36° faceted reflector
- High efficacy, low glare
- No visible flicker (IEEE PAR1789 2015)

Options

- DALI dimming – **(DA)**
- Phase-cut dimming – **(MDIM)**
- Remote 3hr emergency – **(M3)**
- Remote self-test 3hr emergency - **(STE)**
- Casambi Wireless control – **(BTC)**
- Black bezel – **(BK)**

Dimensions



Product Code

C70-8-3K-WH

C70, IP54 downlight, 8w, 3K, 750lm, c/w white bezel

C70-8-4K-WH

C70, IP54 downlight, 8w, 4K, 775lm, c/w white bezel

** Example – C70-8-4K-WH-MDIM

C70 downlight, 8w, 4K, white bezel c/w mains dimming

Capri – 80 PND

Low glare pendant mounted LED downlighter with body size and optic options

- Corridors
- Offices
- Receptions
- Break-Out



Features

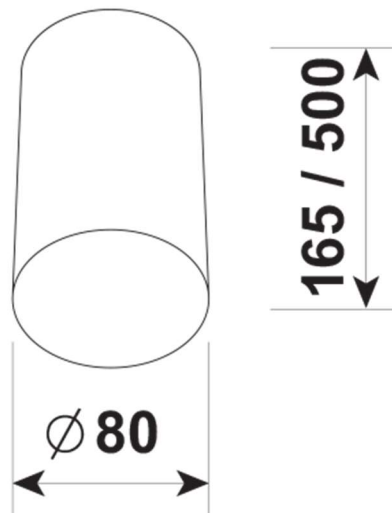
- Tridonic LED and driver system for optimum performance
- Polished 35° reflector as standard
- White can as standard RAL9003
- Suspension option

Options

- DALI dimming – (DA)
- Casambi Wireless Control (BTC)
- 14° reflector – (PR14)
- 55° reflector – (PR55)
- Black can RAL9005 – (BK)
- Grey can RAL9006 – (GY)
- 500mm long tube – (LT50)

Capri – 80 PND

Dimensions



Product Code

C80P-8-4K-PR35-WH	Capri 80 PND, 8w, 1,300lm, 4K, white body, polished reflector
C80P-12-4K-PR35-WH	Capri 80 PND, 12w, 1,996lm, 4K, white body, polished reflector
C80P-20-4K-PR35-WH	Capri 80 PND, 20w, 3,000lm, 4K, white body, polished reflector

**Suffix 4K to 3K for 3000 Kelvin

** Suffix WH to required body colour

Suffix end of code with required option

Capri – 85

Architectural low glare LED downlight, IP44 with die-cast bezel in matt white RAL9003

- Corridors
- Offices
- Toilets
- Break-Out



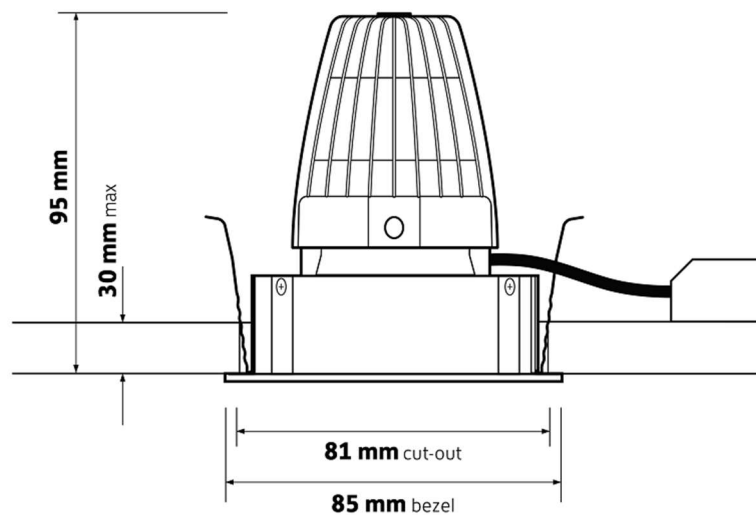
Features

- Tridonic LED and driver system for optimum performance
- Matt white bezel RAL9003
- Matt black darklight baffle RAL9005 – developed to minimise glare
- Fitted with an integral IP44 protective lens as standard
- Precision moulded 40° reflector
- Excellent thermally optimised 24 super-fin die-cast heatsink

Options

- DALI dimming – **(DA)**
- Remote 3hr emergency – **(M3)**
- Remote self-test 3hr emergency - **(STE)**
- Remote DALI monitored emergency – **(D3)**
- Casambi Wireless control – **(BTC)**
- White softlight baffle – **(WSB)**
- Ra9 high colour rendering – **(Ra9)**
- Plaster-In Bezel – **(PI)**

Dimensions



Product Code

C85-86-3K-WH	C85, LED downlight, 6w, 3K, 675lm, c/w white bezel
C85-6-4K-WH	C85, LED downlight, 6w, 4K, 700lm, c/w white bezel
C85-8-3K-WH	C85, LED downlight, 8w, 3K, 850lm, c/w white bezel
C85-8-4K-WH	C85, LED downlight, 8w, 4K, 900lm, c/w white bezel

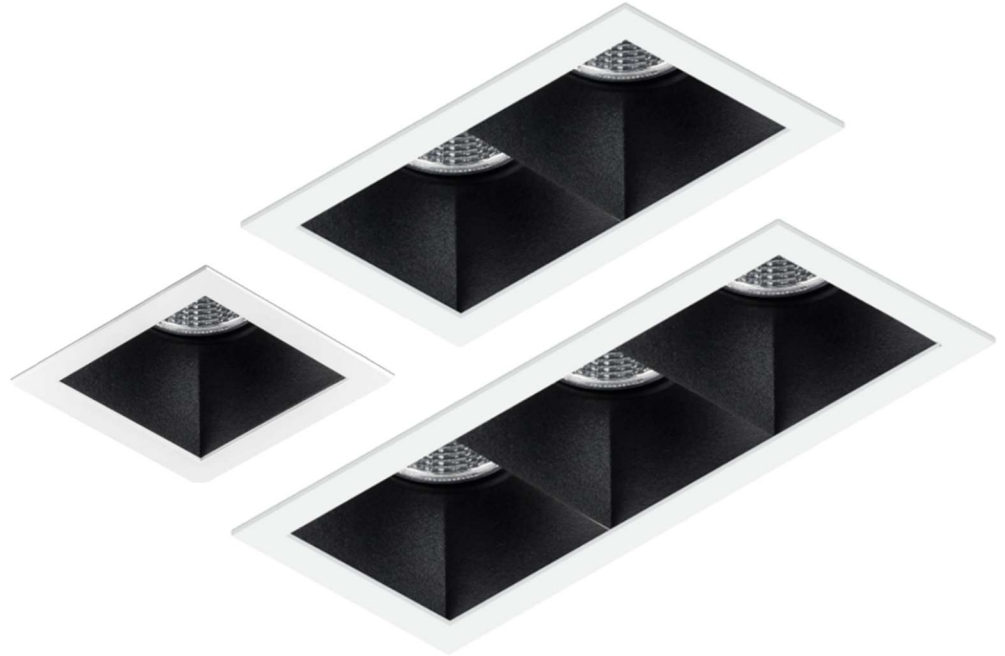
** Example – C85-8-4K-WH-DA-WSB

C85 downlight, 8w, 900lm, 4K, white bezel c/w DALI dimming & white softlight baffle

Capri – 85S

Low glare architectural LED downlight, IP44 with die-cast bezel RAL9003 dark light baffle

- Corridors
- Offices
- Toilets
- Break-Out



Features

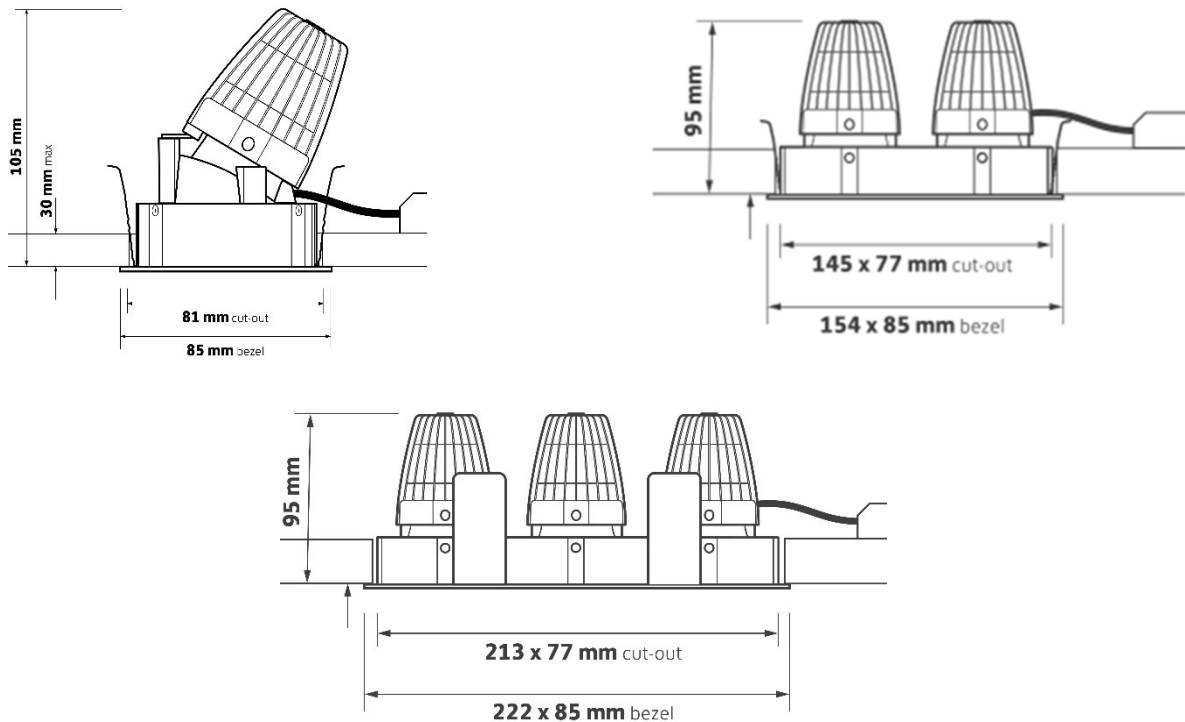
- Tridonic LED and driver system for optimum performance
- Discreet minimal die-cast bezel – RAL9003 white
- Matt black darklight baffle RAL9005 IP44 protective lens as standard
- Precision moulded 40° reflector
- Life >55,000h (L90/F10)

Options

- DALI dimming – **(DA)**
- Remote 3hr emergency – **(M3)**
- Remote self-test 3hr emergency - **(STE)**
- Remote DALI monitored emergency – **(D3)**
- Casambi Wireless control – **(BTC)**
- IP54 clear cover – **(54)**
- Plaster In Bezel – **(PI)**
- White softlight baffle – **(WSB)**

Capri – 85S

Dimensions



Product Code

C85S-6-4K-BK-WH	Capri 85S, 6w, 600lm, 4K, single head black baffle, white bezel
C85S-8-4K-BK-WH	Capri 85S, 8w, 950lm, 4K, single head black baffle, white bezel
C85S-13-4K-BK-WH	Capri 85S, 13w, 1,350lm, 4K, twin head black baffle, white bezel
C85S-16-4K-BK-WH	Capri 85S, 16w, 1,800lm, 4K, twin head black baffle, white bezel
C85S-19-4K-BK-WH	Capri 85S, 19w, 2,100lm, 4K, triple head black baffle, white bezel
C85S-24-4K-BK-WH	Capri 85S, 24w, 2,700lm, 4K, triple head black baffle, white bezel

**Suffix 4K to 3K for 3000 Kelvin

** Suffix BK to WH for white softlight baffle

** Example – C85S-24-4K-WH-DA

Capri 85S, 24w, 2,700lm, white softlight baffle & DALI dimming

Capri – C130

Professional low glare high performance LED downlight, with minimalist die-cast bezel in brilliant RAL9016 & multi-faceted reflector

- Corridors
- Toilets
- Break-Out
- Offices



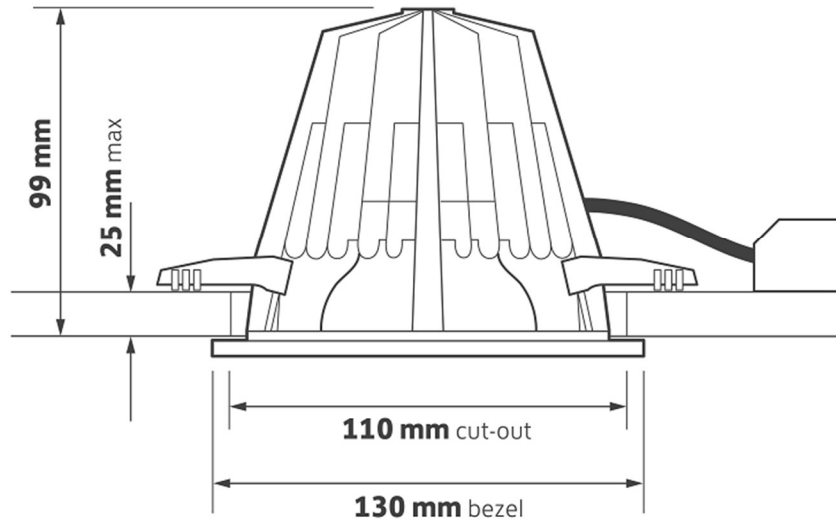
Features

- Phillips LED and driver system for optimum performance
- 40° pure aluminium multi-faceted reflector as standard
- Lumen maintenance now L80/B10 @>50,000h
- IP54 and IP65 options
- Premium white Ra90 LED module available
- Height under 100mm using optimised thermodynamics

Options

- DALI dimming – (DA)
- Remote 3hr emergency – (M3)
- Remote self-test 3hr emergency - (STE)
- Remote 3hr DALI monitored emergency - (D3)
- 50° satin reflector – (SA50)
- IP65 Bezel adaptor – (/65)
- IP54 sealed clear lens – (/54)
- Casambi Wireless control – (BTC)
- Custom bezel colour – (RAL)

Dimensions



Product Code

C130-1000-4K-WH	Capri 130, 8.0w, 4K, 1,050lm, c/w multi-facet reflector, white bezel
C130-1800-4K-WH	Capri 130, 13.5w, 4K, 1,800lm, c/w multi-facet reflector, white bezel
C130-2500-4K-WH	Capri 130, 19.0w, 4K, 2,525lm, c/w multi-facet reflector, white bezel
C130-3300-4K-WH	Capri 130, 27.0w, 4K, 3,375lm, c/w multi-facet reflector, white bezel
C130-4500-4K-WH	Capri 130, 40.0w, 4K, 4,550lm, c/w multi-facet reflector, white bezel

** Suffix 4K to 3K for 3000 Kelvin

** Example – C130-1800-4K-WH/DA

Capri 130 downlighter, 1,800lm, 4K, white bezel c/w DALI dimming

Capri – 150

Low glare architectural surface mounted or suspended LED downlight RAL9016 as standard

- Corridors
- Offices
- Toilets
- Break-Out



Features

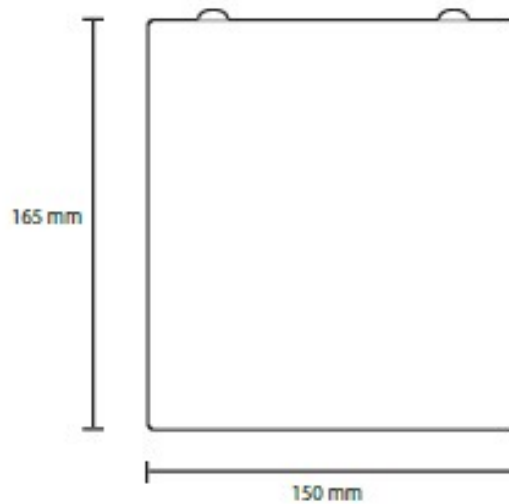
- Tridonic LED and driver system for optimum performance
- Multi-faceted 40° reflector as standard
- White can as standard RAL9016
- UGR<19 and ECA compliant variants
- Suspension option

Options

- DALI dimming – (DA)
- Integral 3hr emergency – (M3)
- Integral self-test 3hr emergency - (STE)
- 2m suspension kit 3 x wires + ceiling plate – (SUS/2M)
- 40° specular reflector – (SP40)
- 50° Satin reflector – (SA50)
- Black can RAL9005 – (BK)
- Grey can RAL9006 – (GY)

Capri – 150

Dimensions



Product Code

C150-8-4K-MF40-WH	Capri 150, 8w, 1,050lm, 4K, white body, multi-faceted reflector
C150-14-4K-MF40-WH	Capri 150, 14w, 1,775lm, 4K, white body, multi-faceted reflector
C150-19-4K-MF40-WH	Capri 150, 19w, 2,400lm, 4K, white body, multi-faceted reflector

**Suffix 4K to 3K for 3000 Kelvin

** Suffix WH to required body colour

** Suffix MF40 with required reflector

** Example – C150-19-4K-MF40-WH-DA

Capri 150, 19w, 2,400lm, white can, 40° multi-faceted reflector & DALI dimming

Capri – 170

Professional high efficiency LED downlight with specular reflector & die-cast bezel in RAL9010 white

- Corridors
- Offices
- Toilets
- Break-Out



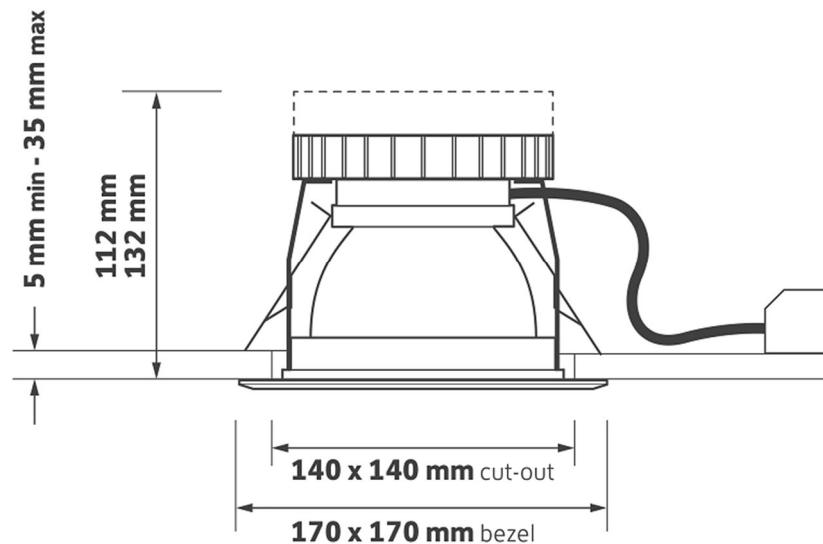
Features

- Philips LED and driver system for optimum performance
- Die-Cast bezel – RAL9010 white
- Highly specular reflector
- Life >60,000h (I70/B10)

Options

- DALI dimming – **(DA)**
- Remote 3hr emergency – **(M3)**
- Remote self-test 3hr emergency - **(STE)**
- Remote DALI monitored emergency – **(D3)**
- Casambi Wireless control – **(BTC)**
- IP54 clear cover – **(54)**

Dimensions



Product Code

C170-1100-4K-WH	C170, LED downlight, 11w, 4K, 1,075lm, c/w white bezel
C170-2000-4K-WH	C170, LED downlight, 20w, 4K, 2,075lm, c/w white bezel
C170-3000-4K-WH	C170, LED downlight, 30w, 4K, 3,075lm, c/w white bezel
C170-5000-4K-WH	C170, LED downlight, 47w, 4K, 4,800lm, c/w white bezel

**Suffix 4K to 3K for 3000 Kelvin

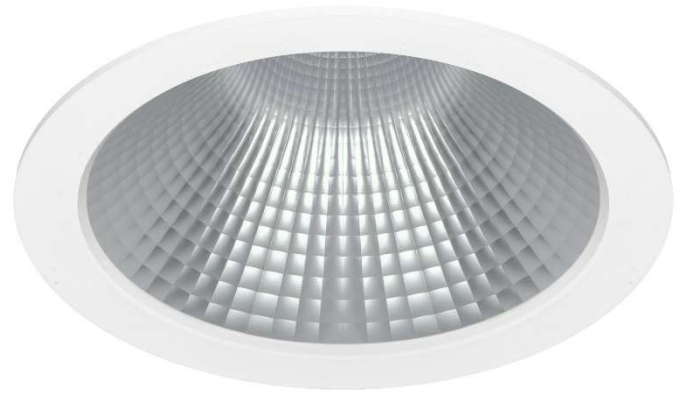
** Example – C170-1100-4K-WH-DA

C170 downlight, 11w, 1,100lm, 4K, white bezel c/w DALI dimming

Capri – C192

Professional high performance LED downlight, with minimalist die-cast bezel in brilliant RAL9016 & multi-faceted reflector

- Corridors
- Toilets
- Break-Out
- Offices



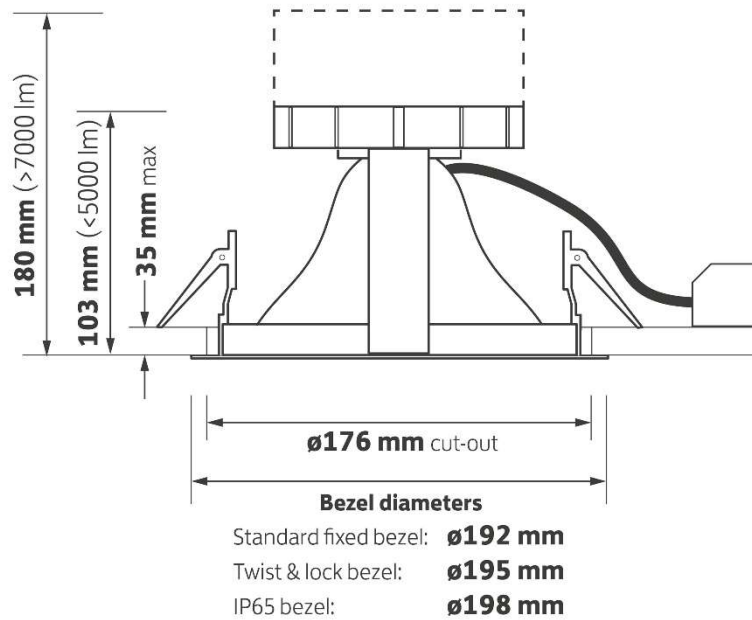
Features

- Tridonic SLE LED module and driver system
- Low glare multi-faceted 55° aluminium reflector
- Up to 139 luminaire lumens per circuit Watt
- Nominal rated life >50,000h L90
- MacAdam colour tolerance <3SDCM
- CIBSE TM66 Assessment “Excellent circularity”

Options

- DALI dimming – (DA)
- Remote 3hr emergency – (M3)
- Remote self-test 3hr emergency - (STE)
- Remote 3hr DALI monitored emergency - (D3)
- Twist & lock bezel – (TA300)
- IP65 Bezel adaptor – (/65)
- IP54 sealed clear lens – (/54)
- Casambi Wireless control – (BTC)
- Custom bezel colour – (RAL)

Dimensions



Product Code

C192-1200-4K-WH	Capri 192, 9.0w, 4K, 1,250lm, c/w faceted reflector, white bezel
C192-2000-4K-WH	Capri 192, 14.5w, 4K, 1,975lm, c/w faceted reflector, white bezel
C192-3000-4K-WH	Capri 192, 24.5w, 4K, 3,325lm, c/w faceted reflector, white bezel
C192-5000-4K-WH	Capri 192, 37.0w, 4K, 4,825lm, c/w faceted reflector, white bezel
*C192-8000-4K-WH	Capri 192, 65.5w, 4K, 8,250lm, c/w faceted reflector, white bezel
*C192-10000-4K-WH	Capri 192, 94.5w, 4K, 10,300lm, c/w faceted reflector, white bezel

** Suffix 4K to 3K for 3000 Kelvin

** Example – C192-2000-4K-WH/DA

Capri 192 downlighter, 2000lm, 4K, white bezel c/w DALI dimming

Capri – 200

Surface mounted LED drum downlighter with option of reflectors

- Corridors
- Offices
- Toilets
- Break-Out
- Reception



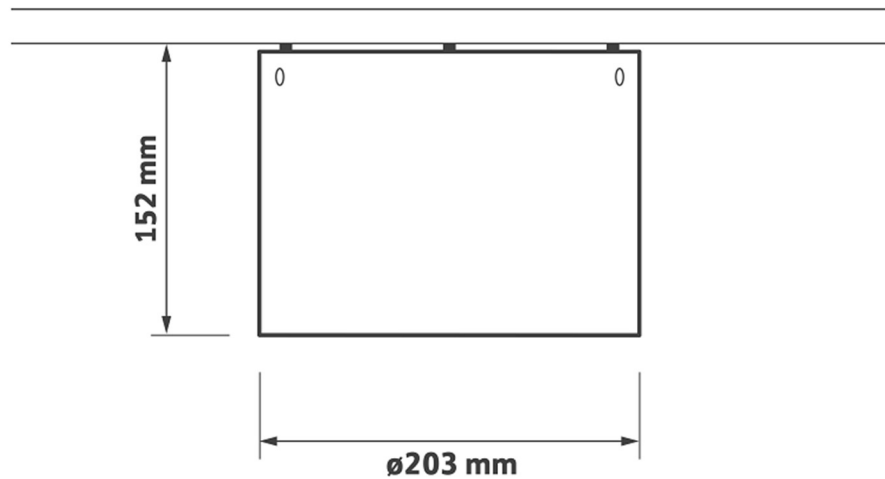
Features

- Philips DOB system inside
- Lightweight spun aluminium surface can with a range of reflectors
- 60° Satin etched reflector providing an optical efficiency of 87%
- Pendant version available with 2mtr adjustable suspension kit
- Black, White, Grey body colour option
- Custom colour option available on request

Options

- DALI dimming – (DA)
- Casambi Wireless control – (BTC)
- Body colour options - (RAL)
- 40° Specular reflector – (SP40)
- 50° Multi-facet reflector – (MF50)
- Suspension Kit – (SUS-2M)

Dimensions



Product Code

C200-10-4K-WH	C200, LED downlight, 10.0w, 4K, 975lm, c/w white body
C200-18-4K-WH	C200, LED downlight, 18.0w, 4K, 1,750lm, c/w white body
C200-27-4K-WH	C200, LED downlight, 27.0w, 4K, 2,650lm, c/w white body

**Suffix 4K to 3K for 3000 Kelvin

** Example – C200-10-4K-WH-DA

C200 downlight, 10w, 975lm, 4K, white body c/w DALI dimming

Capri – C232

Professional large high performance LED downlight, with minimalist die-cast bezel in brilliant RAL9016 & satin reflector

- Corridors
- Toilets
- Break-Out
- Offices



Features

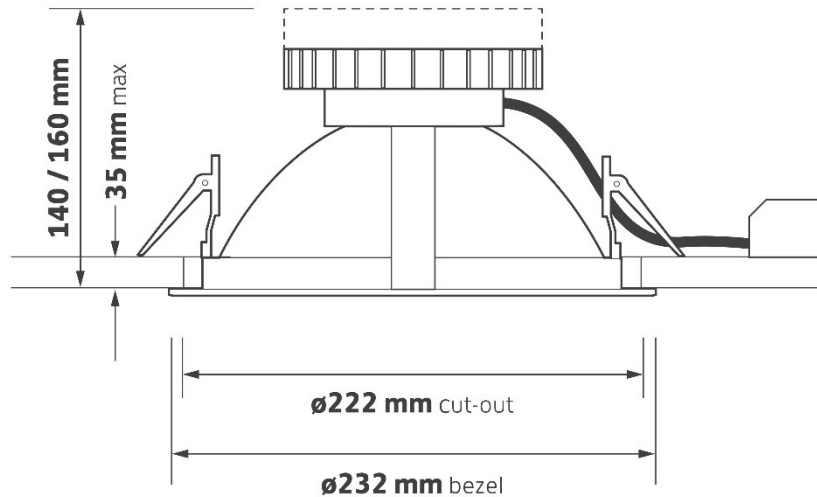
- Phillips LED and driver system for optimum performance
- 50° satin etched reflector as standard or 40° multi-faceted option
- Lumen depreciation L70/B10 @60,000h
- IP54 and IP65 options
- MacAdam colour tolerance <3SDCM
- Tuneable white option (Tridonic DLE)

Options

- DALI dimming – (DA)
- Remote 3hr emergency – (M3)
- Remote self-test 3hr emergency - (STE)
- Remote 3hr DALI monitored emergency - (D3)
- 40° Multi-faceted reflector – (MF40)
- IP65 Bezel adaptor – (/65)
- IP54 sealed clear lens – (/54)
- Casambi Wireless control – (BTC)
- Custom bezel colour – (RAL)

Capri – C232

Dimensions



Product Code

C232-1100-4K-WH	Capri 232, 9.5w, 4K, 1,175lm, c/w satin reflector, white bezel
C232-2000-4K-WH	Capri 232, 17.5w, 4K, 2,000lm, c/w satin reflector, white bezel
C232-3000-4K-WH	Capri 232, 30.5w, 4K, 3,075lm, c/w satin reflector, white bezel
C232-5000-4K-WH	Capri 232, 46.5w, 4K, 4,800lm, c/w satin reflector, white bezel
C232-1850-TW-WH bezel	Capri 232, 17.5w, Tuneable white 1,850lm c/w satin reflector, white bezel

** Suffix 4K to 3K for 3000 Kelvin

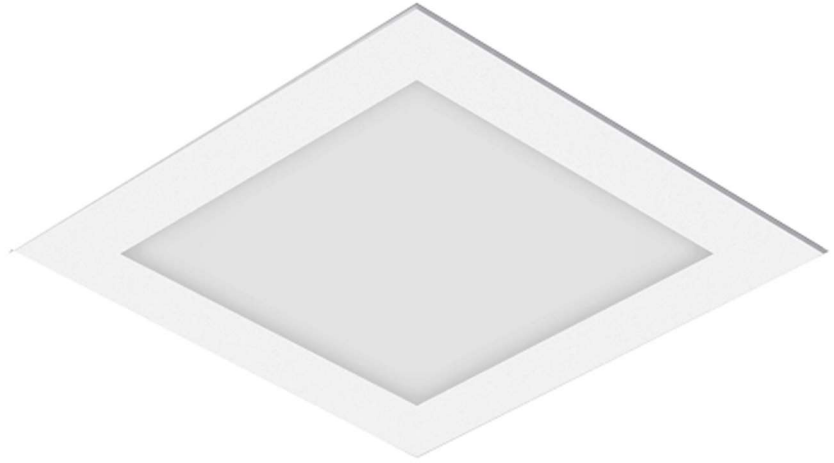
** Example – C232-2000-4K-WH/DA

Capri 232 downlighter, 2000lm, 4K, white bezel c/w DALI dimming

Capri – 244

Backlit LED light box 82mm in depth IP44, with wattage option up to 2,225lm

- Corridors
- Offices
- Toilets
- Break-Out
- Reception



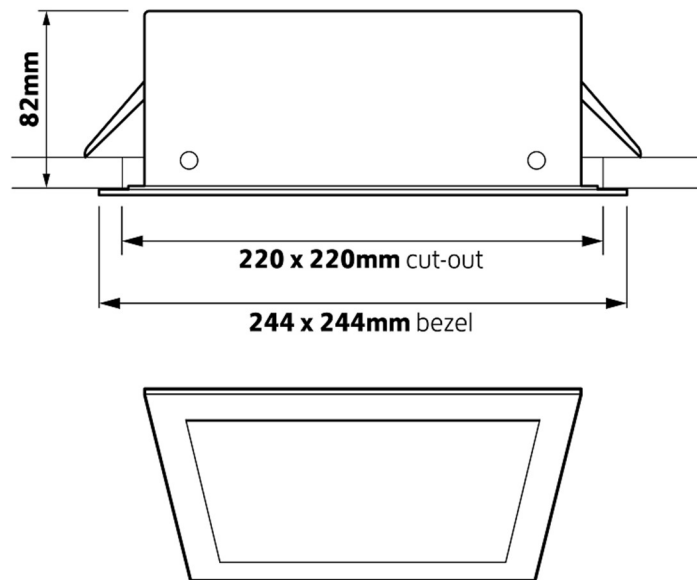
Features

- Tridonic Driver with option of Tridonic or LEE LED array
- Ultra-thin bezel for minimal visual impact
- Height under 100mm
- Finished RAL9010
- Life >72,000h (L80/F10)
- High transmission acrylic diffuser

Options

- DALI dimming – **(DA)**
- Remote 3hr emergency – **(M3)**
- Remote self-test 3hr emergency - **(STE)**
- Remote DALI monitored emergency – **(D3)**
- Casambi Wireless control – **(BTC)**
- Bezel colour options **(RAL)**

Dimensions



Product Code

C244-7-4K-WH	C244, LED downlight, 7.0w, 4K, 725lm, c/w white bezel
C244-10-4K-WH	C244, LED downlight, 10.5w, 4K, 1,175lm, c/w white bezel
C244-14-4K-WH	C244, LED downlight, 14w, 4K, 1,600lm, c/w white bezel
C244-20-4K-WH	C244, LED downlight, 20.5w, 4K, 2,225lm, c/w white bezel

**Suffix 4K to 3K for 3000 Kelvin

** Example – C244-10-4K-WH-DA

C244 downlight, 10w, 1,175lm, 4K, white bezel c/w DALI dimming

Professional IP54 commercial LED downlight, with die-cast bezel in brilliant RAL9016

- Corridors
- Toilets
- Break-Out
- Offices



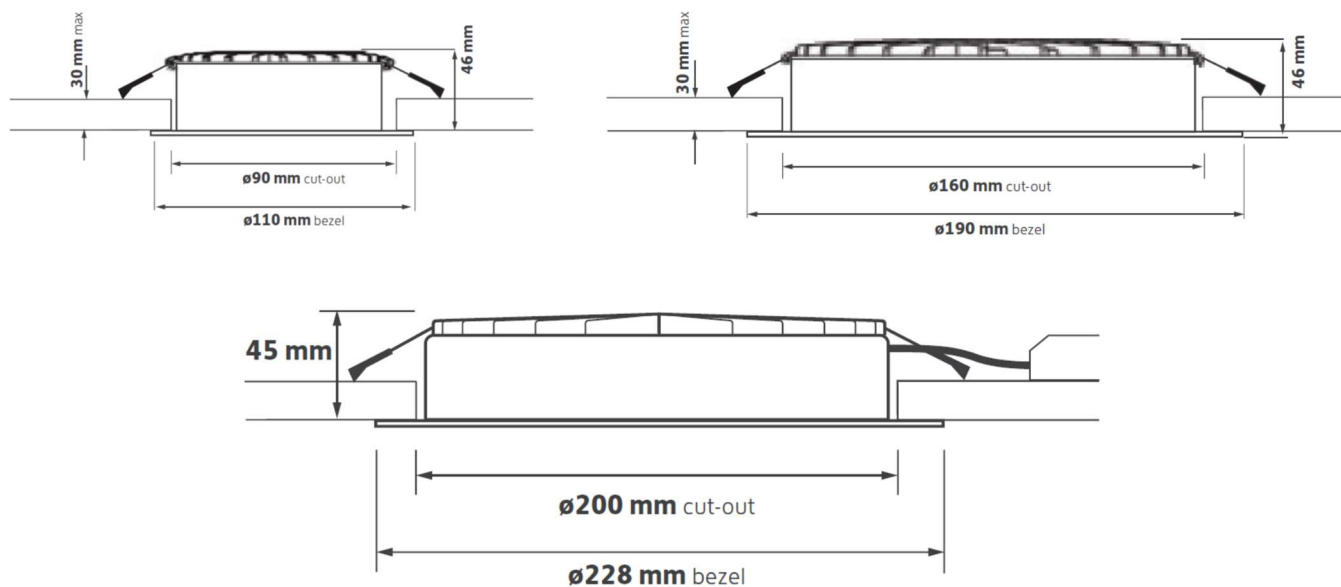
Features

- Recessed opal PC diffuser
- SMD LED powered by Tridonic
- Long life 50,000h L70
- IP54
- Switchable 3 x CCT – 830 / 840 / 865
- 5 year warranty

Options

- DALI dimming – **(DA)**
- Phase-cut dimming – **(MDIM)**
- Remote 3hr emergency – **(M3)**
- Remote self-test 3hr emergency - **(STE)**
- Casambi Wireless control – **(BTC)**

Dimensions



Product Code

CES-9-CCT-WH	Ceco, 9w CCT, 850lm, 110mm bezel finished white
CEM-11-CCT-WH	Ceco, 11w CCT, 1,200lm, 190mm bezel finished white
CEM-21-CCT-WH	Ceco, 21w CCT, 2,275lm, 190mm bezel finished white
CEL-13-CCT-WH	Ceco, 13w CCT, 1,625lm, 228mm bezel finished white
CEL-18-CCT-WH	Ceco, 18w CCT, 2,275lm, 228mm bezel finished white
CEL-22-CCT-WH	Ceco, 22w CCT, 2,700lm, 228mm bezel finished white
CEL-30-CCT-WH	Ceco, 30w CCT, 3,500lm, 228mm bezel finished white

** Example – CEL-22-CCT-WH-BTC

Ceco downlighter, 2,275lm, CCT, white bezel c/w Casambi wireless control

Capri – FR85

Commercial IP65 LED fire rated downlight, with die-cast bezel in brilliant RAL9016

- Domestic Dwellings
- Offices
- Schools



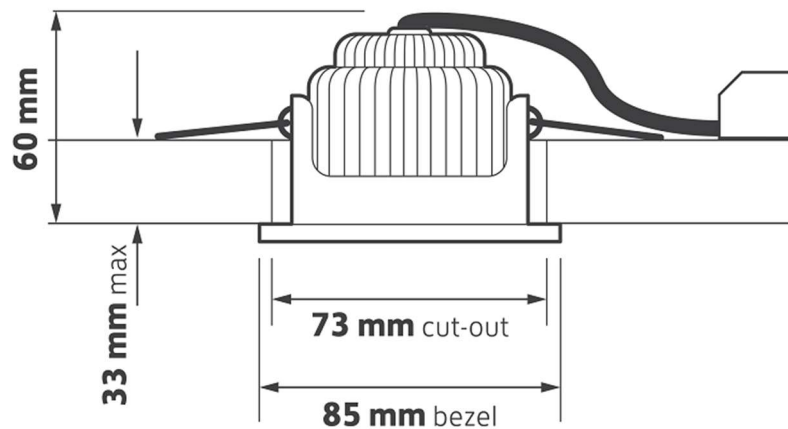
Features

- Compact fire rated IP65 LED downlighter
- Complete with white bezel
- Multi-faceted reflector
- Brushed and black bezel options
- Supplied with IP ceiling gasket
- Accredited fire rated: FR30, FR60 and FR90 Fire Rating in accordance with BS476: Part 21: 1987, load bearing timber floor with softwood timber joists.

Options

- DALI dimming – **(DA)**
- Phase-cut dimming – **(MDIM)**
- Remote 3hr emergency – **(M3)**
- Remote self-test 3hr emergency - **(STE)**
- Casambi Wireless control – **(BTC)**
- Black bezel – **(BK)**
- Brushed steel bezel – **(BSB)**

Dimensions



Product Code

CFR85-8-3K-WH

CFR85, fire rated downlight, 8w, 3K, 750lm, c/w white bezel

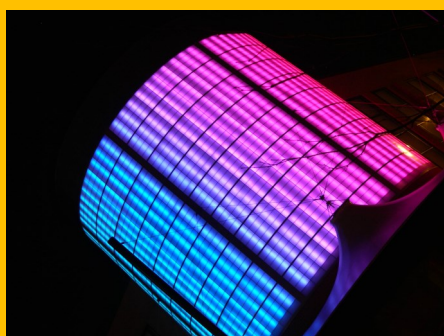
CFR85-8-4K-WH

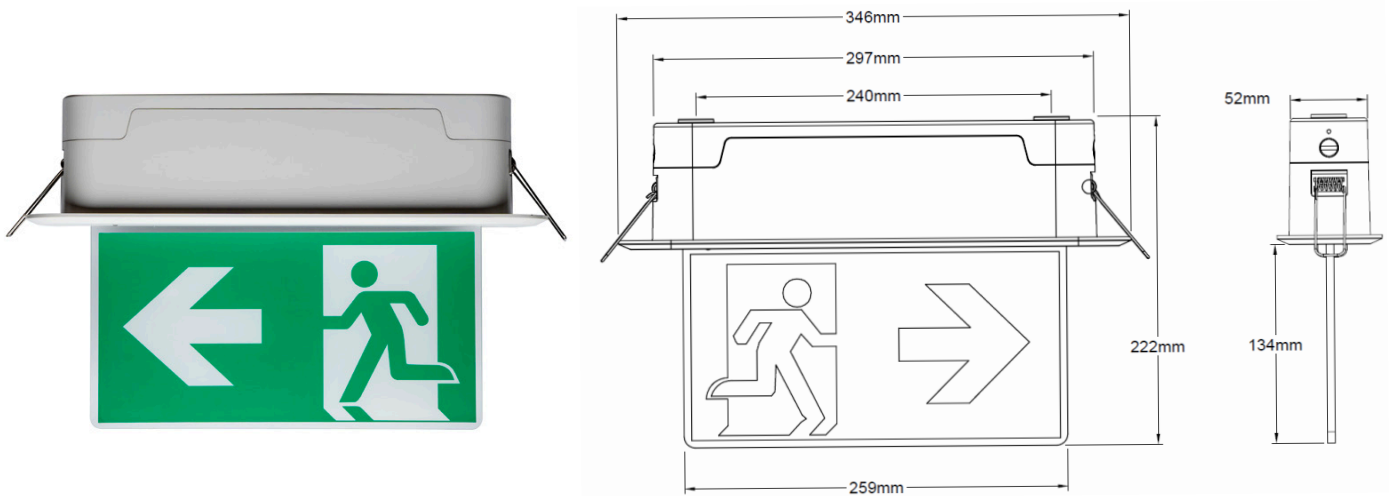
CFR85, fire rated downlight, 8w, 4K, 775lm, c/w white bezel

** Example – CFR85-8-4K-WH-MDIM

CFR85 downlight, 8w, 4K, white bezel c/w mains dimming

Commercial Lighting Solutions





- Basic or DALI-2 Recessed Exit Sign
- Recessed Mounting
- White Polycarbonate body
- Extra Long Life LiFePO4 cells
- 25m viewing distance
- ISO 7010 legends as standard
- Operates the DALI-2 Protocol
- Samsung LED's
- Operates with LiteMesh Wireless Systems

A stylish and compact Double Sided LED Exit Sign suitable for ceiling recess mount applications. The unit is available in either a Switchable Maintained/Non-Maintained, DALI-2 Self-Test, or a LiteMesh Ready wireless version. The fitting is supplied with a PMMA screen printed legend plate which offers an impressive 25m viewing distance. The legend panels are available in either Arrow Up (AU), Arrow Down (AD) or Arrow Left/Right (ALAR). Please note that all legends are single sided, apart from the ALAR which are double sided. The batteries used with this unit not only offer double the life of traditional emergency lighting batteries, but consume far less power during their operation.

Order Codes

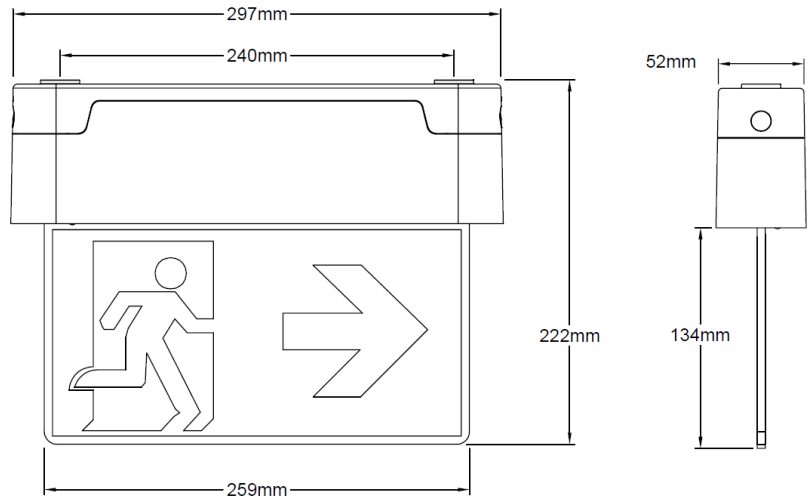
HER/M/**	Switchable Maintained
HER/DA/**	DALI-2 Type B, Switched Maintained Non-Dimmable, or Self-Test M3/NM3
HER/M/LMEM/**	LiteMesh Ready Wireless Maintained/Non-Maintained Self-Test

** Please specify legend required AU, AD, or ALAR

Technical Details:

	HER/M/**	HER/DA/**
Mains Supply	230-240V AC 50/60 Hz	
Power Rating - Charging M-Mode *	5.7W 34mA $\lambda = 0.71$	5.4W 30mA $\lambda = 0.75$
Power Rating - Charged NM-Mode *	0.2W 11mA $\lambda = 0.07$	0.3W 8mA $\lambda = 0.15$
Duration	3-Hours	
Recharge Period	24-Hours	
Battery Size & Type	3.2V 3.8Ah LiFePO4 Cells	
Charge Current	225mA Nominal	
Ingress Protection Rating	IP20	
Weight	0.9Kg	0.9Kg

* Following its initial charge, the control gear will spend 90% of its operational life in standby mode



- Basic, DALI-2 or LiteMesh Wireless Operation
- Surface Mount (Wall or Ceiling)
- White Polycarbonate Body
- Extra Long Life LiFePO4 cells
- Ingress Protection Rating - IP20
- 25m viewing distance
- ISO7010 legends as standard
- DDP (Deep Discharge Protection)
- Samsung LED's
- TM65.2 Rating of 14.98kg CO²e

A stylish and compact Double Sided LED Exit Sign suitable for either wall or ceiling mounting. The unit is available in either a Switchable Maintained/Non-Maintained, DALI-2 Self-Test, or a LiteMesh Ready wireless version. The fitting is supplied with a PMMA screen printed legend plate which offers an impressive 25m viewing distance. The legend panels are available in either Arrow Up (AU), Arrow Down (AD) or Arrow Left/Right (ALAR). Please note that all legends are single sided, apart from the ALAR which are double sided. The batteries used with this unit not only offer double the life of traditional emergency lighting batteries, but consume far less power during their operation.

Order Codes

LIR/M/**	Switchable Maintained
LIR/DA/**	DALI-2 Type B, Switched Maintained Non-Dimmable, or Self-Test M3/NM3
LIR/M/LMEM/**	LiteMesh Ready Wireless Maintained/Non-Maintained Self-Test

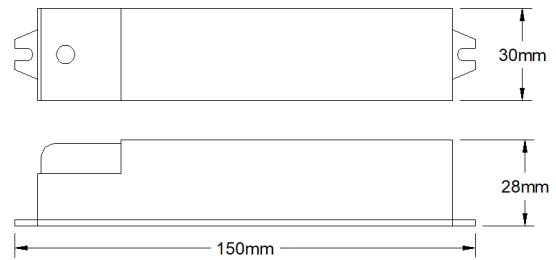
** Please specify legend required AU, AD, or ALAR

Technical Details:

	LIR/M3	LIR/DA
Mains Supply	230-240V AC 50/60 Hz	
Power Rating Charging M-Mode *	5.7W 34mA $\lambda = 0.71$	5.4W 30mA $\lambda = 0.75$
Power Rating Charged NM-Mode *	0.2W 11mA $\lambda = 0.07$	0.3W 8mA $\lambda = 0.15$
Duration	3-Hours	
Recharge Period	24-Hours	
Battery Size & Type	3.2V 3.8Ah LiFePO4 Cells	
Charge Current	225mA nominal	
Ingress Protection Rating	IP40	
Weight	0.82Kg	0.82Kg

* Following its initial charge, the unit will spend 90% of its operational life in standby mode

S-LP6



Fixing Centres 145mm

The S-LP6/1 range is supplied with a choice of LED emitters and is designed for ceiling recess applications. The non-maintained emergency driver is supplied with strain relief cables and passes through a 40mm to 43mm aperture.

- Suitable for Ceiling Recess Applications
- Deep Discharge Protection
- Plugs and Leads for Simple Installation
- Strain Relief Module
- Can be Supplied without LED Where Required
- Suitable for 40mm to 43mm Apertures
- Features Extra Long Life LiFePO4 Batteries

A 3-hour emergency lighting driver that operates at 700mA in emergency only. This range operates with lithium iron phosphate (LiFePO4) batteries which not only consume far less power under operation, but last far longer than traditional emergency lighting batteries.

The module, batteries and LED all feature plugs and leads for simple installation.

The minimum void depth with a 40mm cut-out is 90mm

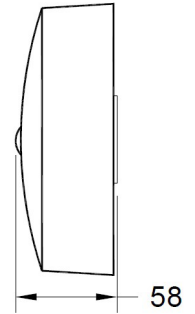
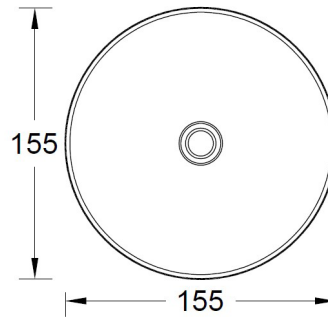
Order Codes

S/LP6/1/LED/43/OA/W	Complete 266 Lumen Emergency Solution with Open Area Lens LED
S/LP6/1/LED/43/CO/W	Complete 268 Lumen Emergency Solution with Corridor Lens LED
S/LP6/1/LED/43/FL/W	Complete 237 Lumen Emergency Solution with No Lens LED
S/LP6/1/LED/44/W	Complete 266 Lumen Emergency Solution with Dimming Charge LED

Technical Details:

Mains Supply	230-240V AC 50/60 Hz	Max Ta and Tc	Ta: 50 °C - Tc: 70 °C
Power Rating - Charging	2.5W 18mA $\lambda = 0.6$	Max Battery Temperature	55 °C
- Charged	0.4W 9mA $\lambda = 0.2$	Duration	3 Hours
Battery Discharge Current	900mA Nom.	Recharge Period	24-Hours
Discharge Voltage Cut Off	2.5Volts	Battery Size	3.2V 3.8Ah LiFePO4
Ingress Protection	IP20	Battery Type	High Temp - IFpR27/67
Charge Current	225mA Nom.	Mains Input Terminals	0.5mm - 1.5mm
Protection Class	II	Overall Weight (with LED)	0.34Kg
Module Dimensions (LxWxH)	150mm x 30mm x 28mm	Module Fixing Centres	145mm
Minimum Void Depth	90mm	Battery Dimensions (LxØ)	90mm x 35mm





The Halo Surface Round is a circular, surface mount standalone emergency LED luminaire which incorporates either our open area or corridor LEDs. The unit is designed for non-maintained use. This product operates with the latest LiFePO4 batteries that offer a long life and a low parasitic load.

The main LED is driven at 700mA and provides either 268 delivered lumen with the open area lens or 266 delivered lumen with the corridor lens.

- 135 ° Open Area or Corridor Optic Options
- Basic, or DALI-2 Self-test Operation
- High Output - Up to 268 Delivered Lumen
- White or Black Finish
- Non-Maintained Operation
- Square Version Available
- Besa Box and Standard Fixing Points
- LDT files Available on Request
- TM65.2 Rating of 7.73kg CO²e

Order Codes

LRR/1/NM/**	White (RAL9016) Standard
LRR/1/NM/**	Black (RAL9005) Standard
LRR/1/DA/**	White (RAL9016) DALI-2 Self-Test
LRR/1/DA/**	Black (RAL9005) DALI-2 Self-Test

** = OA for Open Area Lens and CO for Corridor Lens

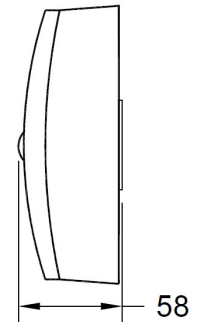
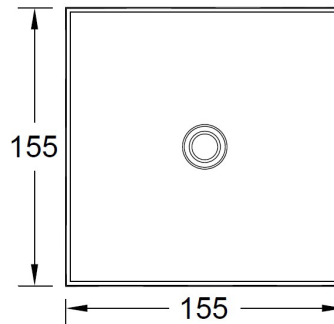
Spacing Table with Open Area Lens:

Mounting Height	To Wall		Between Fittings	
	0.5 Lux	1.0 Lux	0.5 Lux	1.0 Lux
2.5m	5.4m	4.5m	12.6m	10.7m
3.0m	5.9m	4.7m	14.0m	11.7m
4.0m	6.6m	-	16.2m	13.2m
5.0m	0.3m	-	17.8m	0.7m
6.0m	-	-	19.0m	-

Technical Details:

Input Voltage	230-240V AC 50/60Hz	Charge Current	225mA Nominal
Basic Power (charging) *	1.6W 17mA $\lambda = 0.40$	Duration	3-Hours
Basic Power (charged) *	0.2W 11mA $\lambda = 0.07$	Maximum Ta	25° C
DALI Power (charging) *	1.7W 14mA $\lambda = 0.50$	Battery Type	3.2V 3.8Ah LiFePO4
DALI Power (charged) *	0.3W 8mA $\lambda = 0.15$	Mains Input Terminals	0.50mm to 2.5mm Cable
Recharge Period	24 Hours	Ingress Protection	IP20
Colour Temperature	5700K	Dimensions	58mm x 155mm Diameter
Weight (Standard)	0.37Kg	Weight (DALI/Self-test)	0.40Kg
Beam Angle (OA)	135 °	Beam Angle (CO)	155 ° x 115 °

* Following its initial charge, the control gear will spend 90% of its operational life in standby mode.



The Halo Surface Square is a square, surface mount standalone emergency LED luminaire which incorporates either our open area or corridor LEDs. The unit is designed for non-maintained use. This product operates with the latest LiFePO₄ batteries that offer a long life and a low parasitic load.

The main LED is driven at 700mA and provides either 268 delivered lumen with the open area lens, or 266 delivered lumen with the corridor lens.

- 135 ° Open Area or Corridor Optic Options
- Basic, DALI-2 or LiteMesh Wireless Operation
- High Output - Up to 268 Delivered Lumen
- White or Black Finish
- Non-Maintained Operation
- Round Version Available
- Besa Box and Standard Fixing Points
- LDT files Available on Request
- TM65.2 Rating of 8.41kg CO₂e

Order Codes

LRS/1/NM/**	White (RAL9016) Standard
LRS/1/NM/**	Black (RAL9005) Standard
LRS/1/DA/**	White (RAL9016) DALI-2 Self-Test
LRS/1/DA/**	Black (RAL9005) DALI-2 Self-Test
LRS/1/LMEM/**	White (RAL9016) LiteMesh Ready Wireless Self-Test
LRS/1/LMEM/**	Black (RAL9005) LiteMesh Ready Wireless Self-Test

** = OA for Open Area Lens and CO for Corridor Lens

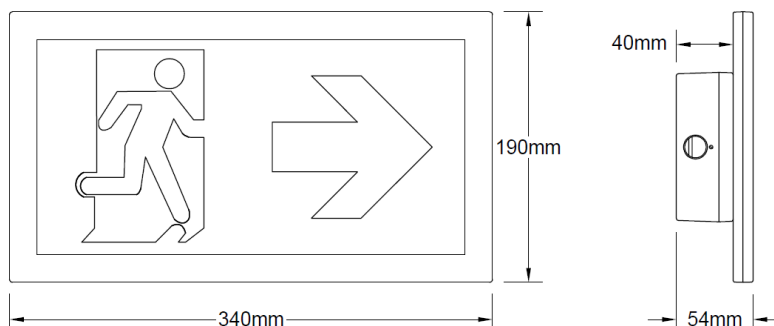
Spacing Table with Open Area Lens:

Mounting Height	To Wall		Between Fittings	
	0.5 Lux	1.0 Lux	0.5 Lux	1.0 Lux
2.5m	5.4m	4.5m	12.6m	10.7m
3.0m	5.9m	4.7m	14.0m	11.7m
4.0m	6.6m	-	16.2m	13.2m
5.0m	0.3m	-	17.8m	0.7m
6.0m	-	-	19.0m	-

Technical Details:

Input Voltage	230-240V AC 50/60Hz	Charge Current	225mA Nominal
Basic Power (charging) *	1.6W 17mA $\lambda = 0.40$	Duration	3-Hours
Basic Power (charged) *	0.2W 11mA $\lambda = 0.07$	Maximum Ta	25° C
DALI Power (charging) *	1.7W 14mA $\lambda = 0.50$	Battery Type	3.2V 3.8Ah LiFePO ₄
DALI Power (charged) *	0.3W 8mA $\lambda = 0.15$	Mains Input Terminal	0.50mm to 2.5mm Cable
	24-Hours	Ingress Protection	IP20
Colour Temperature	5700K	Dimensions	155mm x 155mm x 58mm
Weight (Standard)	0.4Kg	Weight (DALI Self-test)	0.42Kg
Beam Angle (OA)	135 °	Beam Angle (CO)	155 ° x 115 °

* Following its initial charge, the control gear will spend 90% of its operational life in standby mode.



- Basic or DALI-2 Wall Mounted Exit sign Surface Mount (Wall)
- White Polycarbonate Body
- Extra Long Life LiFePO4 cells
- Ingress Protection Rating - IP20 rated
- 30m Viewing Distance
- ISO7010 Legends as Standard
- DDP (Deep Discharge Protection)
- Samsung LED's
- Supplied With a Kit of Legends
- Operates with LiteMesh Wireless Systems

A stylish and compact wall mounting Single Sided LED Exit Sign that can either be surface or semi-recesses mounted. The unit is available in either a Switchable Maintained/Non-Maintained, DALI-2 Self-Test, or a LiteMesh Ready wireless version. The unit comes with a PMMA legend which offers an impressive 30m viewing distance. The luminaire is supplied with a pack of inlay panels which includes Arrow Down (AD), Arrow Left (AL), Arrow Right (AR) and Arrow up (AU).

The batteries used with this unit not only offer double the life of traditional emergency lighting batteries, but consume far less power during their operation.

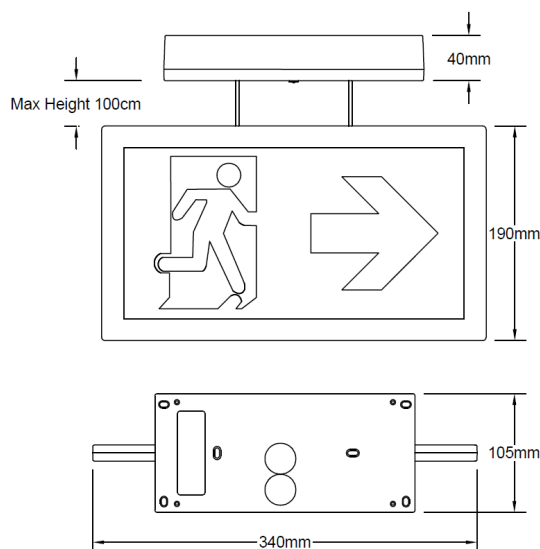
Order Codes

SPY/M3	Switchable Maintained
SPY/DA	DALI-2 Type B, Switched Maintained Non-Dimmable, or Self-Test M3/NM3
SPY/LMEM	LiteMesh Ready Wireless Maintained/Non-Maintained Self-Test

Technical Details:

	SPY/M3	SPY/DA
Mains Supply	230-240V AC 50/60 Hz	
Power Rating Charging M-Mode *	5.7W 34mA $\lambda = 0.71$	5.4W 30mA $\lambda = 0.75$
Power Rating Charged NM-Mode*	0.2W 11mA $\lambda = 0.07$	0.3W 8mA $\lambda = 0.15$
Duration	3-Hours	
Recharge Period	24-Hours	
Battery Size & Type	3.2V 3.8Ah LiFePO4 Cells	
Charge Current	225mA nominal	
Ingress Protection Rating	IP20	
Weight	1.2Kg	1.2Kg

* Following its initial charge, the unit will spend 90% of its operational life in standby mode



- Basic or DALI-2 Suspended Exit Sign
- White Polycarbonate Body
- Extra Long Life LiFePO4 cells
- Ingress Protection Rating - IP20 rated
- 30m Viewing Distance
- ISO 7010 Legends as Standard
- DDP (Deep Discharge Protection)
- Samsung LED's
- Supplied with a Kit of Legends
- Up to 1000mm Suspension
- Operates with LiteMesh Wireless Systems

A stylish and compact suspended Single/Double Sided LED Exit Sign that can be surface mounted.

The unit is available in either a Switchable Maintained/Non-Maintained, DALI-2 Self-Test, or a LiteMesh ready wireless version. The unit comes with a PMMA legend which offers an impressive 30m viewing distance.

The luminaire is supplied with a pack of inlay panels which includes Arrow Down (AD), Arrow Left (AL), Arrow Right (AR) and Arrow up (AU).

The batteries used with this unit not only offer double the life of traditional emergency lighting batteries, but consume far less power during their operation.

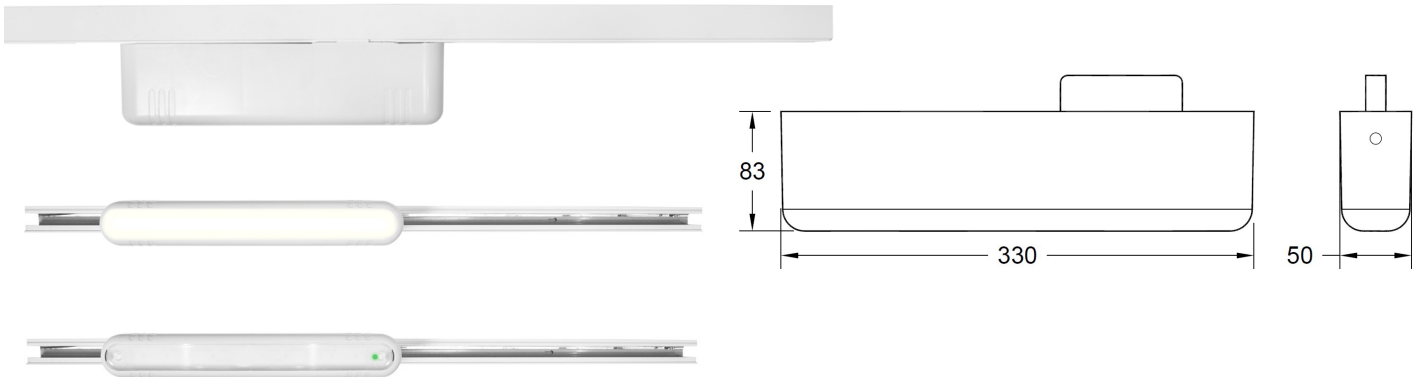
Order Codes

STE/SM/M3	Switchable Maintained
STE/SM/DA	DALI-2 Type B, Switched Maintained, Non-Dimmable, or Self-Test M3/NM3
STE/SM/LMEM	LiteMesh Wireless Self-Test Switched Maintained/Non-Maintained

Technical Details:

	STE/SM/M3	STE/SM/DA
Mains Supply	230-240V AC 50/60 Hz	
Power Rating - Charging M-Mode*	5.7W 34mA $\lambda = 0.71$	5.4W 30mA $\lambda = 0.75$
Power Rating - Charged NM-Mode*	0.2W 11mA $\lambda = 0.07$	0.3W 8mA $\lambda = 0.15$
Duration	3-Hours	
Recharge Period	24-Hours	
Battery Size & Type	3.2V 3.8Ah LiFePO4 Cell	
Charge Current	225mA nominal	
Ingress Protection Rating	IP20	
Weight	1.2Kg	1.2Kg

* Following its initial charge, the unit will spend 90% of its operational life in standby mode



- Lockable Track Mounted Emergency LED
- Available in RAL9005 (Black)
- Available in RAL9016 (White)
- Available as Basic or DALI 2 Self-Test Operation
- Powered by Long Life LiFePO4 Batteries
- 254 Lumen Output
- Suitable for Global Trac Systems
- Suitable for Eutrac Systems
- Suitable for Stucchi Systems
- DALI Track Adaptor to be Free Issued
- Ingress Protection of IP20

There are 3 versions available -

Order Codes

XLPTrac/1/NM3/*	Non-Maintained with basic emergency operation (* = B for Black and W for White)
XLPTrac/1/DA/*	Non-Maintained with DALI 2 self-test operation (* = B for Black and W for White)
XLPTrac/1/LMEM/*	Non-Maintained with LiteMesh Ready Wireless self-test operation (* = B for Black and W for White)

The track adaptor is supplied with the NM3 and LMEM versions, however needs to be free issued to us for the DALI version. NB. When the adaptor is supplied by ALD, this will only operate with Eutrac, Global Track or Stucchi 3-circuit Track (non-DALI). Please specify which is required.

Technical Details:

	XLPTrac/1/NM3	XLPTrac/1/DA
Input Voltage	230-240V AC 50/60Hz	
Power Rating Charging **	2.5W 18mA $\lambda = 0.6$	5W 28mA $\lambda = 0.74$
Power Rating Charged **	0.4W 9mA $\lambda = 0.2$	0.3W 8mA $\lambda = 0.15$
Dimensions	330mm x 50mm x 85mm	
Battery Type	3.2V 3.8Ah LiFePO4	
Overall Weight	1.4Kg	1.4Kg
Ambient Temperature (Ta)	0° to 25°C	

** LiFePO4 modules initially charge and then spend 90% of their operational life in the 'Charged' or standby state.

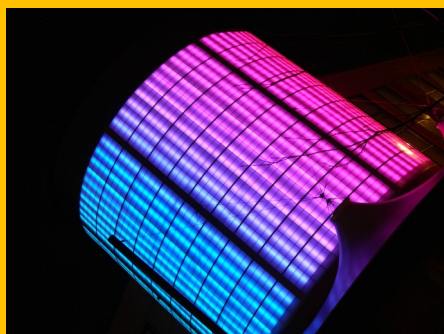
ALD's XLPTrac is a 3 hour Non-Maintained Emergency LED unit which is designed as a discrete and simple emergency lighting solution to track fed lighting schemes.

In keeping with the emergency lighting standards, the product is locked in place, inhibiting post installation relocation. This retains the agreed emergency lighting scheme with even the most flamboyant of store merchandisers.

There are two main versions, available, standard emergency operation, and DALI 2 self-test operation. Both types are available in white (RAL9016) and black (RAL9005).

The product is compatible with both Global Trac, Eutrac and Stucchi Systems. Unless Specified, the track adaptor should be free issued to us.

Commercial Lighting Solutions



A high quality stylish low profile LED flood option of body sizes, wattages from 28w to 200w

- Factories
- Car Parks
- Tennis Courts
- Sports Pitches



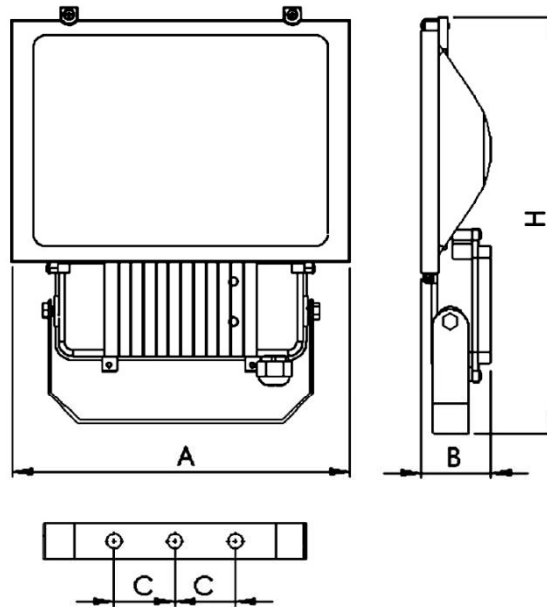
Features

- Die-Cast aluminium base & cover
- Asymmetric and Symmetric options
- Glass diffuser
- Epoxy powder coated RAL7035
- IP65
- IK08

Product Code

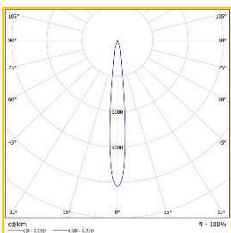
ADR-28-4K-7035-LS**	Adur 28w, LED flood, 4K, 4,774lm finished RAL7035
ADR-50-4K-7035-LS**	Adur 50w, LED flood, 4K, 8,279lm finished RAL7035
ADR-65-4K-7035-LS**	Adur 65w, LED flood, 4K, 10,224lm finished RAL7035
ADR-100-4K-7025-LS**	Adur 100w, LED flood, 4K, 16,558lm finished RAL7035
ADR-125-4K-7035-LS**	Adur 125w, LED flood, 4K, 20,698lm finished RAL7035
ADR-150-4K-7035-LS**	Adur 150w, LED flood, 4K, 23,259lm finished RAL7035
ADR-200-4K-7035-LS**	Adur 200w, LED flood, 4K, 33,116lm finished RAL7035

Dimensions

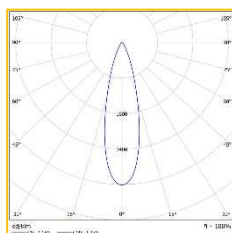


A, mm	B, mm	C, mm	H, mm
280	60	50	338
353	66	75	444
420	87	100	515

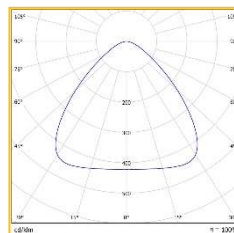
Optics



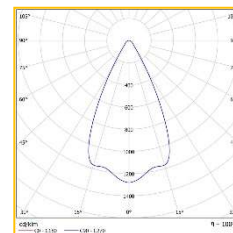
LS12



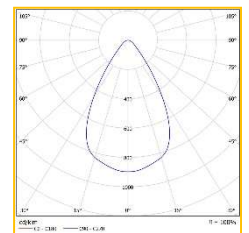
LS30



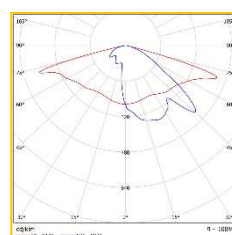
LS90



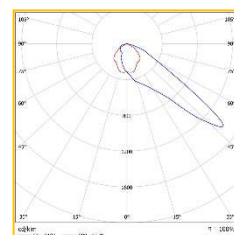
LS45



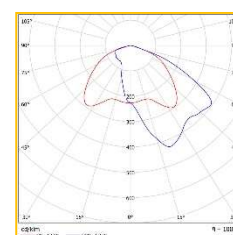
LS60



LSM1



LSA2



LSA1

A modern and stylish square bollard available in two heights and two outputs to suit a variety of applications with an indirect light source to reduce glare.

- Carparks
- Building perimeter
- Pathways



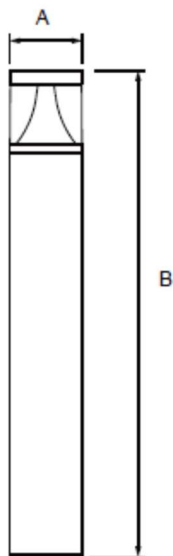
Features

- Die-Cast aluminium body
- Polycarbonate diffuser
- Epoxy powder coated RAL9007
- IP65
- IK09

Options

- Integrated 3hr emergency -Standard (**M3**) Self - Testing Emergency (**STE**)
- Micro-wave sensor (**MW1**)
- Photo-cell (**PC**)
- DALI Dimming (**DA**)
- Custom RAL paint finish (**RAL**)
- J-Bolt fixing Kit (**JB7000**)
- Root Mounting Kit (**RM7000**)

Dimensions



Dimensions: (Flange) 120mm x 1000mm (Inground) 120mm x 800mm

Product Code

BST-15-CCT-SL	Barnstable, 15w, 1470/1530lm, CCT, IP65, IK09 finished RAL9007
BST-30-CCT-SL-F	Barnstable, 30w, 2820/2940lm, CCT, IP65, IK09 flange mounted RAL 9007

** Suffix end of code with option required**

** Example – BST-15-CCT-SL-M3

Barnstable, 15w, ground mounted c/w 3hr emergency

This high-performance luminaire is available in two sizes with a power range 26w to 80w. A modern and minimalist design ideal for urban and amenity applications.

- Streets
- Car Parks
- Pedestrian Walkway



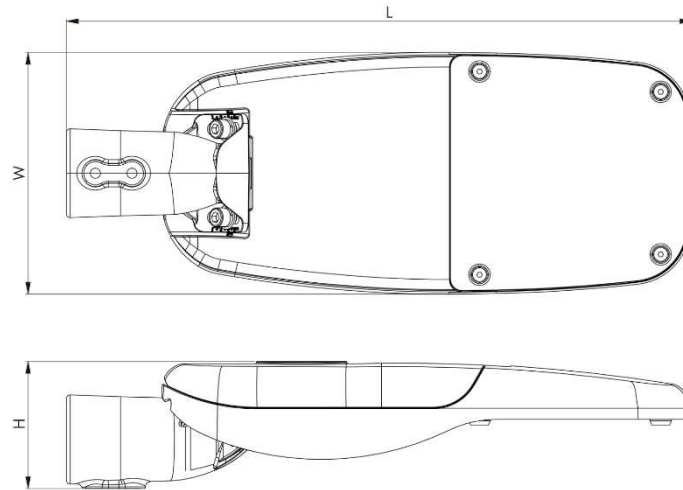
Features

- Die-Cast aluminium base & cover
- Glass diffuser
- Epoxy powder coated RAL7022
- IP66
- IK09

Options

- Mini Photo-cell (**PCM**)
- Nema Socket (**NSP**) * Specify if 3 or 7 pin is required*
- DALI Dimming (**DA**)
- Zaga book 18 for Casambi wireless control (**ZBC**)
- Custom RAL paint finish (**RAL**)

Dimensions

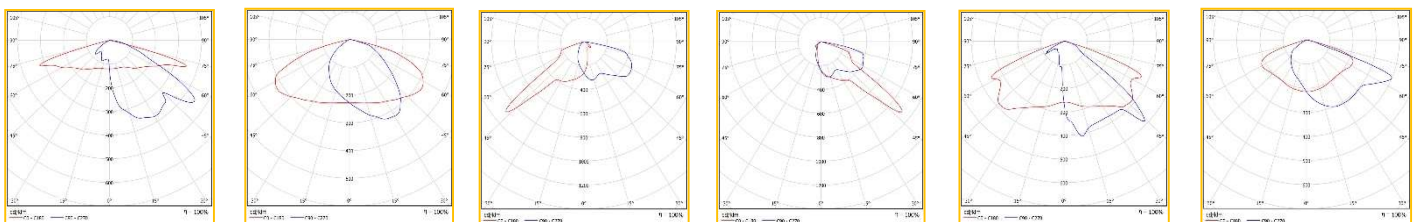


Product Code

BWS-26-4K-7022-L***	Brentwood, 26w, 4K, 3,434lm, 525mm L x 250mm W x 102mm H
BWS-40-4K-7022-L***	Brentwood, 40w, 4K, 4,878lm, 525mm L x 250mm W x 102mm H
BWS-52-4K-7022-L***	Brentwood, 52w, 4K, 6,869lm, 525mm L x 250mm W x 102mm H
BWS-70-4K-7022-L***	Brentwood, 70w, 4K, 9,158lm, 625mm L x 288mm W x 102mm H
BWS-80-4K-7022-L***	Brentwood, 80w, 4K, 10,303lm, 625mm L x 288mm W x 102mm H

** Example – BWS-40-4K-7022-LSM2 - Brentwood, 40w, 4,878lm RAL7022 c/w LSM2 optic **.

Optics



LSM 1

LSM 2

LSPL 1

LSPR 1

LSS 1

LSS 2

Contemporary and stylish luminaire available in a range of outputs. Ideal for pedestrian areas, terraces, general circulation spaces.

- Streets
- Car Parks
- Pedestrian Walkway



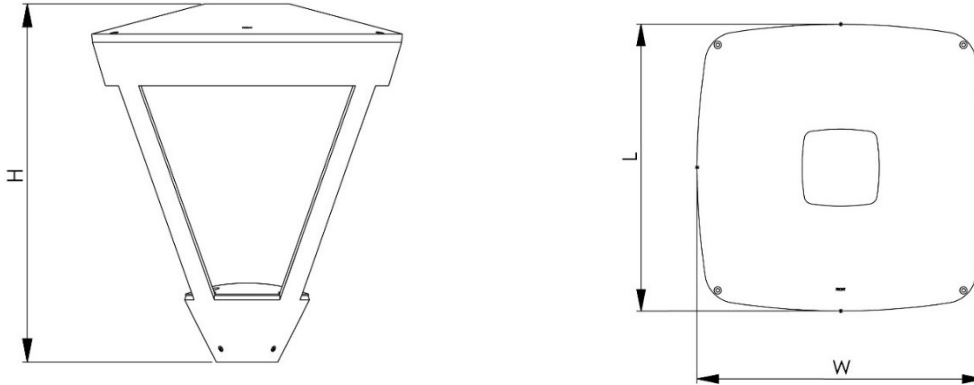
Features

- Die-Cast aluminium housing
- Glass diffuser
- Epoxy powder coated RAL9005
- IP66
- IK09

Options

- Mini Photo-cell (PCM)
- Nema Socket (NSP) * Specify if 3 or 7 pin is required*
- DALI Dimming (DA)
- Zaga book 18 for Casambi wireless control (ZBC)
- Custom RAL paint finish (RAL)

Dimensions

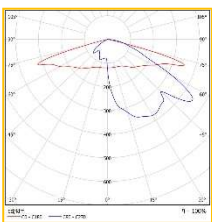


Product Code

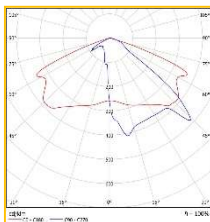
BKH-43-4K-9005-L***	Buckingham, 43w, 4K, 4,830lm, 475mm L x 475mm W x 535mm H
BKH-51-4K-9005-L***	Buckingham, 51w, 4K, 5,623lm, 475mm L x 475mm W x 535mm H
BKH-68-4K-9005-L***	Buckingham, 68w, 4K, 7,498lm, 475mm L x 475mm W x 535mm H
BKH-87-4K-9005-L***	Buckingham, 87w, 4K, 9,222lm, 475mm L x 475mm W x 535mm H

** Example – BKH-43-4K-9005-LSM2 - Thurrock, 42w, 4,830lm RAL9005 c/w LSM2 optic **.

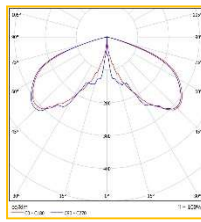
Optics



LSM 1



LSM 2



LS 140

An updated version of the classic and timeless lantern for column and wall mounting, available in multiple output options.

- Streets
- Car Parks
- Pedestrian Walkway



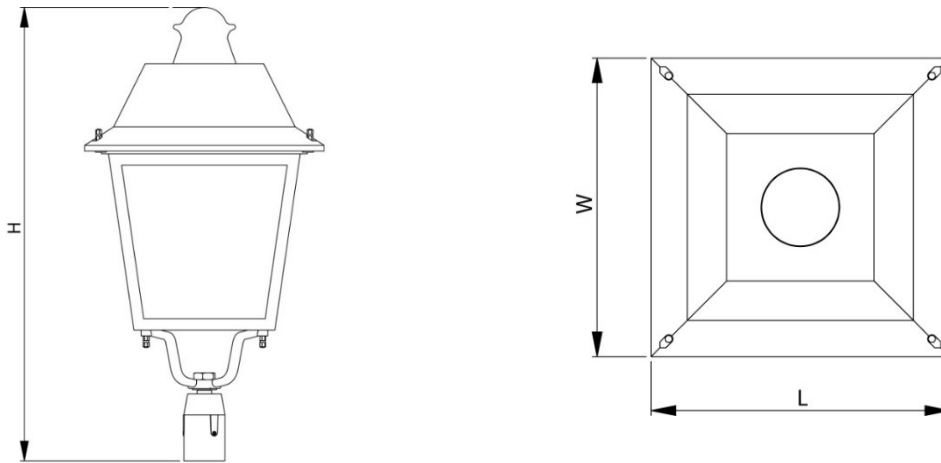
Features

- Die-Cast aluminium body
- Glass diffuser
- Epoxy powder coated RAL9005
- IP65
- IK08

Options

- Mini Photo-cell (**PCM**)
- DALI Dimming (**DA**)
- Zaga book 18 for Casambi wireless control (**ZBC**)
- Custom RAL paint finish (**RAL**)
- Polycarbonate diffuser (**PC**)

Dimensions

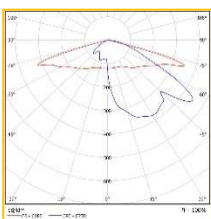


Product Code

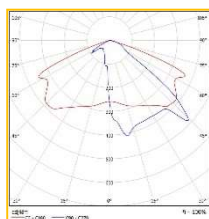
CHL-34-4K-9005-L***	Chelmsford, 34w, 4K, 4,451lm, 425mm L x 425mm W x 816mm H
CHL-44-4K-9005-L***	Chelmsford, 44w, 4K, 5,557lm, 425mm L x 425mm W x 816mm H
CHL-51-4K-9005-L***	Chelmsford, 51w, 4K, 6,677lm, 425mm L x 425mm W x 816mm H
CHL-65-4K-9005-L***	Chelmsford, 65w, 4K, 8,335lm, 425mm L x 425mm W x 816mm H

** Example – CHL-34-4K-9005-LSM2 - Chelmsford, 34w, 4,451lm RAL9005 c/w LSM2 optic **.

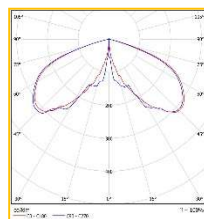
Optics



LSM 1



LSM 2



LS140

Decorative surface mounted oval bulkhead with built in switchable PIR

- Building perimeter
- Balconies
- Canopy
- Car Parks
- Walk Ways



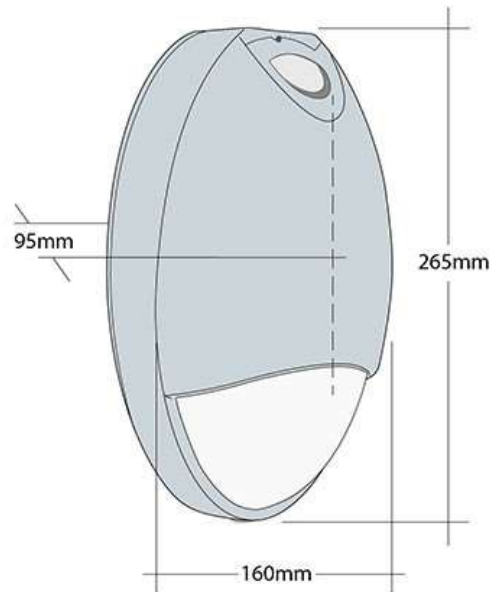
Features

- Die-Cast aluminium base & cover
- Polycarbonate diffuser
- Epoxy powder coated RAL9005
- IP65
- IK10

Options

- Integrated 3hr emergency -Standard (M3)

Dimensions



Product Code

ET-15-4K-BK

Eton, 15w, 4K, c/w switchable PIR 1050lm finished RAL9005

ET-15-4K-BK-M3

Eton, 15w, 4K, c/w switchable PIR 1050lm finished RAL9005 c/w 3hr emergency facility.

Wall / Ceiling mounted die-cast aluminium bulkhead, IK10, opal diffuser, Stainless steel fixings

- Building perimeter
- Balconies
- Canopy
- Car Parks



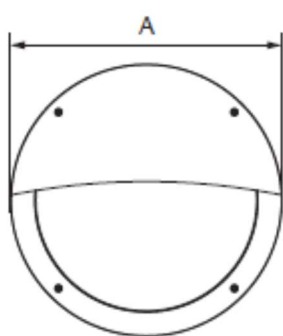
Features

- Die-Cast aluminium base & cover
- Polycarbonate diffuser
- Epoxy powder coated RAL9005
- IP65
- IK10

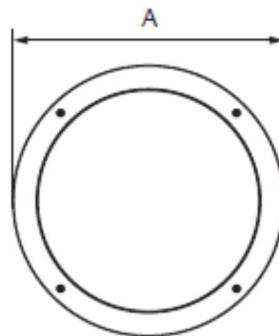
Options

- Integrated 3hr emergency -Standard (M3) Self - Testing Emergency (STE)
- Micro-wave sensor (MW1)
- Photo-cell (PC)
- DALI Dimming (DA)
- Custom RAL paint finish (RAL)

Dimensions



362mm x 118mm



362mm x 108mm



Product Code

FLH-14-4K-BK FusiLED, 14w, Eyelid 1,390lm, IP65, IK10, finished RAL9005

FLO-14-4K-BK FusiLED 14w, Open face 1,450lm, IP65, IK10, finished RAL9005

** Suffix end of code with option required**

** Example – FLH-14-4K-BK-M3 FusiLED 14w, Eyelid c/w 3hr emergency facility.

Surface/Wall mounted die-cast aluminium base non-corrosive c/w opal polycarbonate diffuser & stainless-steel security fixings

- Car Park
- Boiler Room
- Bike Shed
- Industrial
- Workshop
- Laundry



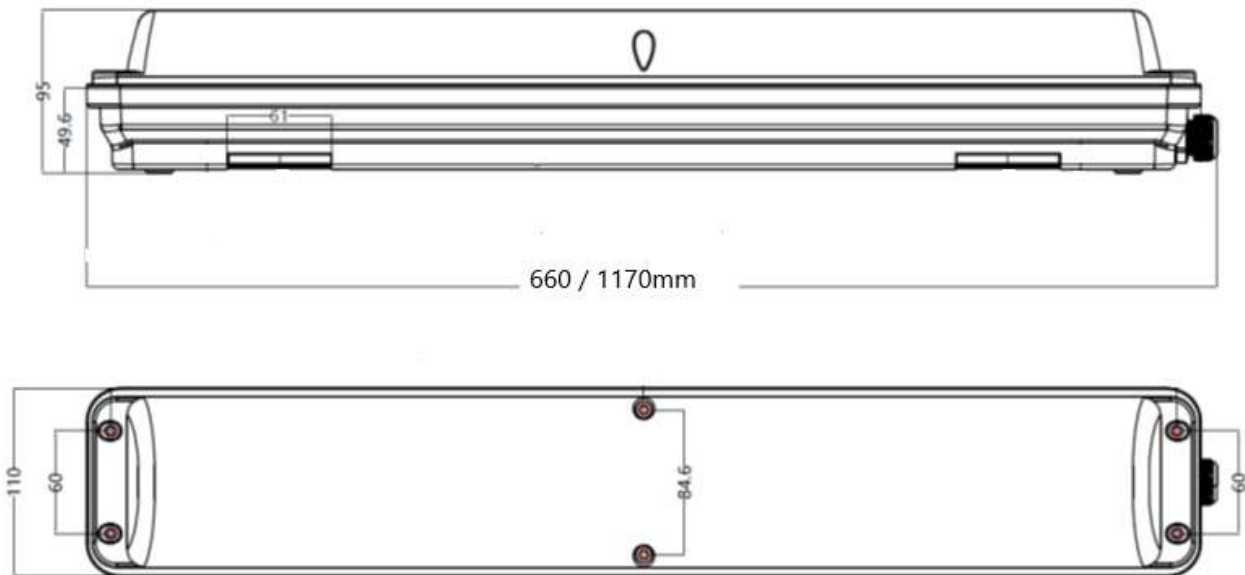
Features

- Die-cast aluminium base powder coat RAL9006
- Opal UV stabilised polycarbonate diffuser
- Stainless Steel security fixing
- IK10 – BSEN 2262
- IP65

Options

- Integrated 3hr emergency -Standard (M3) - Self Testing Emergency (STE)
- DALI Monitor Emergency (D3)
- DALI (DA)
- Batten mounted PIR Sensor (BPIR)
- Mirco-wave Sensor (MW1)
- Casambi wireless control (BTC)

Dimensions



Product Code

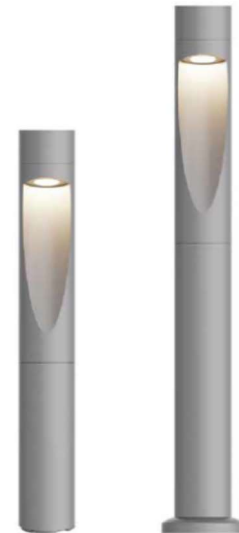
GLD-25-4K-65-OP-2F	Gladiator, 25w, 2,851lm, 660mm die-cast body, opal diffuser
GLD-35-4K-65-OP-2F	Gladiator, 35w, 3,927lm, 660mm die-cast body, opal diffuser
GLD-35-4K-65-OP-4F	Gladiator, 35w, 4,221lm, 1170mm die-cast body, opal diffuser
GLD-50-4K-65-OP-4F	Gladiator, 50w, 6,263lm, 1170mm die-cast body, opal diffuser
GLD-65-4K-65-OP-4F	Gladiator, 65w, 7,805lm, 1170mm die-cast body, opal diffuser

** Suffix end of code **(M3)** for emergency facility or **(BPIR)** PIR Sensor or **(BTC)** for Casambi Wireless Control

**Example: GLD-25-4K-65-OP-2F-BTC Gladiator, 25w, 4K, 2,851lm, 660mm body c/w Casambi

A modern and decorative bollard available in two heights with asymmetric light distribution offering very low upward light.

- Car Parks
- Building perimeter
- Pathways



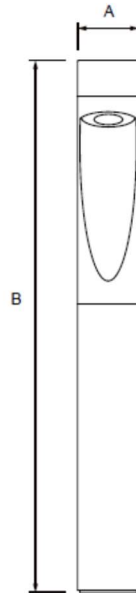
Features

- Extruded aluminium body
- Glass diffuser
- Epoxy powder coated RAL9007
- IP66
- IK09

Options

- DALI Dimming (**DA**)
- Custom RAL paint finish (**RAL**)
- J Bolt fixing Kit (**JB7000**)
- Root mounting Kit (**RM7000**)
- Flange mounting cover (**FMC**)

Dimensions



Dimensions: 'A' 118mm x 'B' 800/1000mm

Product Code

HRW-15-3K-SL-80	Harrow, 15w, 1050lm, 3K, IP65, 800mm, IK09, finished RAL9007
HRW-15-3K-SL-10	Harrow, 15w, 1050lm, 3K, IP65, 1000mm, IK09, finished RAL9007

** Suffix end of code with option required**

** Example – HRW-15-3K-SL-10-FMP Harrow, 15w, 1000mm c/w flange mounting cover

Contemporary and stylish luminaire available in a range of outputs. Ideal for pedestrian areas, terraces, general circulation spaces.

- Streets
- Car Parks
- Pedestrian Walkway



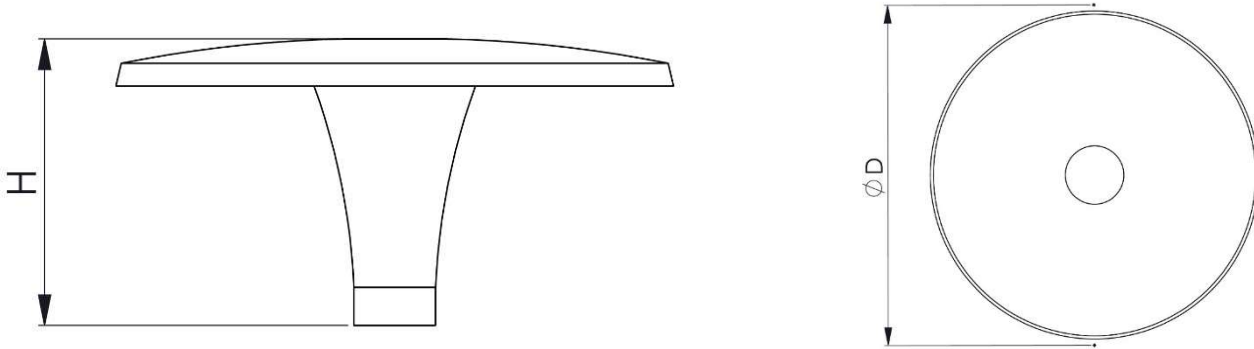
Features

- Die-Cast aluminium housing
- Glass diffuser
- Epoxy powder coated RAL9006
- IP66
- IK08

Options

- Mini Photo-cell (**PCM**)
- Nema Socket (**NSP**) * Specify if 3 or 7 pin is required*
- DALI Dimming (**DA**)
- Zaga book 18 for Casambi wireless control (**ZBC**)
- Custom RAL paint finish (**RAL**)

Dimensions



H = 235mm x D = 500mm

Product Code

LEX-34-4K-9006-LS140

Lexden, 34w, 4K, 5,009lm, 235mm H x 500mm D

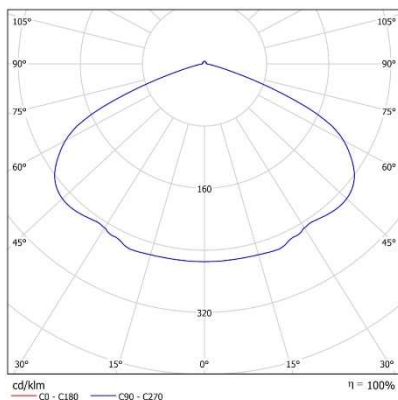
LEX-48-4K-9006-LS140

Lexden, 48w, 4K, 7,073lm, 235mm H x 500mm D

LEX-68-4K-9006-LS140

Lexden, 68w, 4K, 9,663lm, 235mm H x 500mm D

Optics



LS 140

A unique design wall luminaire with selectable outputs and CCT and with minimal upward light available in three sizes.



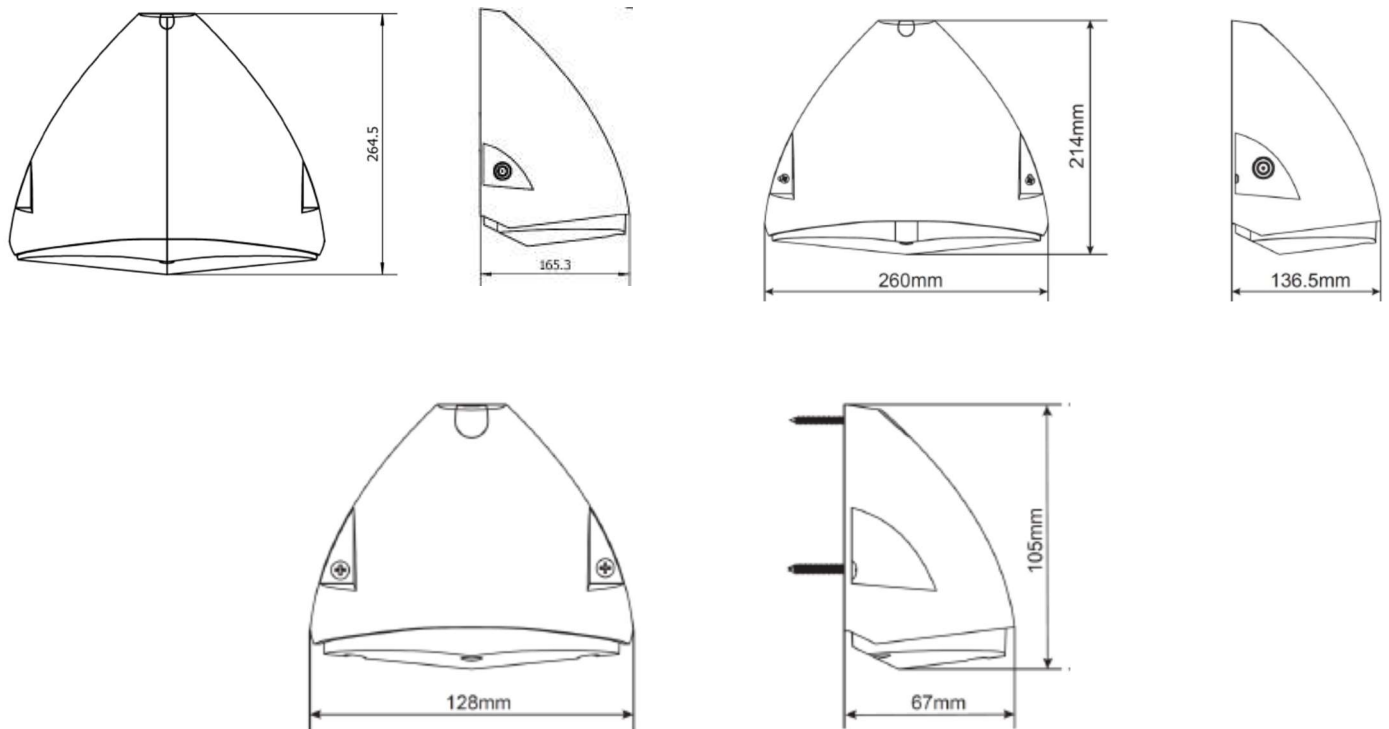
Features

- Die-cast aluminium housing RAL9005 as standard other colours available on request
- IK10 impact resistant diffuser
- Stainless Steel fixings
- High quality LED CCT LED chip & Switchable power driver
- IP65

Options

- Integrated 3hr emergency -Standard **(EM)** Self -Testing Emergency **(STE)**
- Microwave Sensor **(MW1)**
- Photo-Cell **(PC)**
- Casambi Wireless Control **(BTC)**

Dimensions



Product Code

MA-S-CCT-BK	Mako, 5w, CCT, 550-580lm, IP65, IK10
MA-M-SW-CCT-BK	Mako, 7-12w, CCT, switchable power 950-1550lm, IP65, IK10
MA-L-SW-CCT-BK	Mako, 13-28w, CCT, switchable power 1700-3500lm, IP65, IK10

** Suffix end of code **(EM)** for emergency facility or **(PC)** Photo-cell or **(BTC)** for Casambi Wireless Control

**Example: CAN-M-SW-BK-BTC Mako, 7-12w, 950-1550lm, IP65, IK10 c/w Bluetooth wireless control.

A modern contemporary bollard with indirect light to reduce glare available with wattage and height options.

- Carparks
- Building perimeter
- Pathways
- Pedestrian Areas



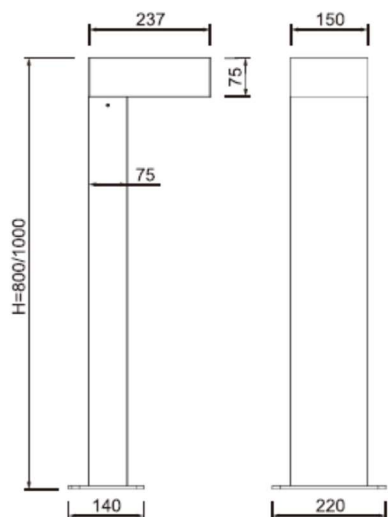
Features

- Die-Cast aluminium body
- Polycarbonate diffuser
- Epoxy powder coated RAL9005
- IP66
- IK09

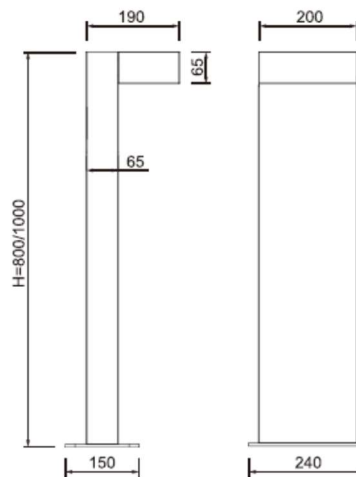
Options

- Integrated 3hr emergency -Standard (**M3**) Self - Testing Emergency (**STE**)
- Micro-wave sensor (**MW1**)
- Photo-cell (**PC**)
- DALI Dimming (**DA**)
- Custom RAL paint finish (**RAL**)
- J-Bolt fixing Kit (**JB7000**)
- Root Mounting Kit (**RM7000**)

Dimensions



12w



25w

Product Code

PLY-12-4K-BK-F-80	Plymouth bollard, 12w, 1,300lm, IP66, IK09, 800mm H, finished RAL9005
PLY-12-4K-BK-F-10	Plymouth bollard, 12w, 1,300lm, IP66, IK09, 1000mm H, finished RAL9005
PLY-25-4K-BK-F-80	Plymouth bollard, 25w, 2,700lm, IP66, IK09, 800mm H, finished RAL9005
PLY-25-4K-BK-F-10	Plymouth bollard, 25w, 2,700lm, IP66, IK09, 1000mm H, finished RAL9005

** Suffix end of code with option required**

** Example – PLY-12-4K-BK-F-M3

Plymouth Bollard, 12w, 1,300lm c/w 3hr emergency

A high quality stylish low profile LED flood option of body sizes, wattages from 50w to 300w

- Factories
- Car Parks
- Tennis Courts
- Sports Pitches



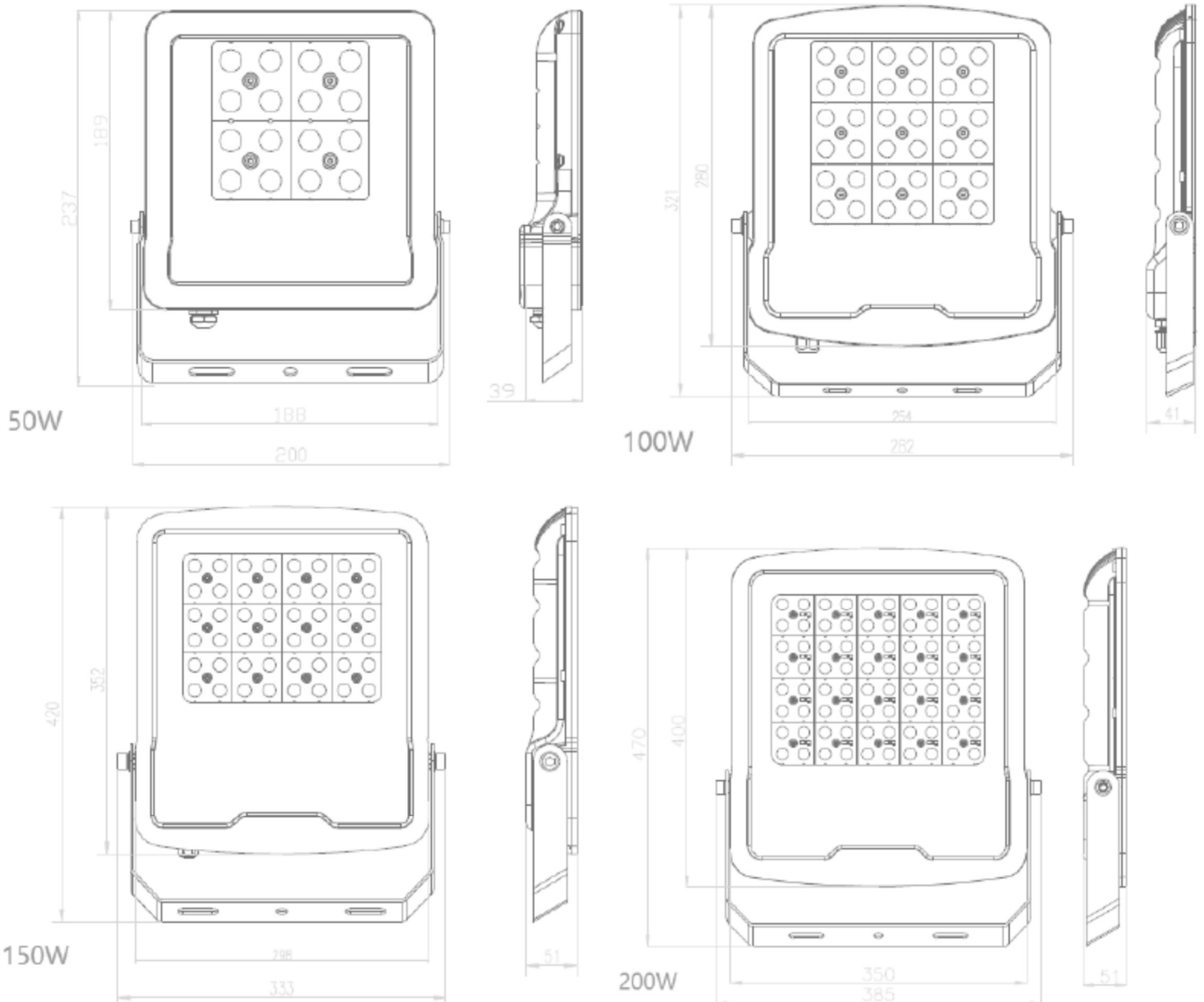
Features

- Die-Cast aluminium base & cover
- Asymmetric and Symmetric options
- Glass diffuser
- Epoxy powder coated RAL9005
- IP65
- IK06

Product Code

TAU-50-5K-BK	Taurus 50w, LED flood, 5K, 5,600lm finished RAL9005
TAU-100-5K-BK	Taurus 100w, LED flood, 5K, 11,860lm finished RAL9005
TAU-150-5K-BK	Taurus 150w, LED flood, 5K, 17,200lm finished RAL9005
TAU-200-5K-BK	Taurus 200w, LED flood, 5K, 23,900lm finished RAL9005
TAU-300-5K-BK	Taurus 300w, LED flood, 5K, 32,000lm, finished RAL9005

Dimensions



This high-performance luminaire is available in two sizes with a power range 26w to 78w. A modern and minimalist design ideal for urban and amenity applications.

- Streets
- Car Parks
- Pedestrian Walkway



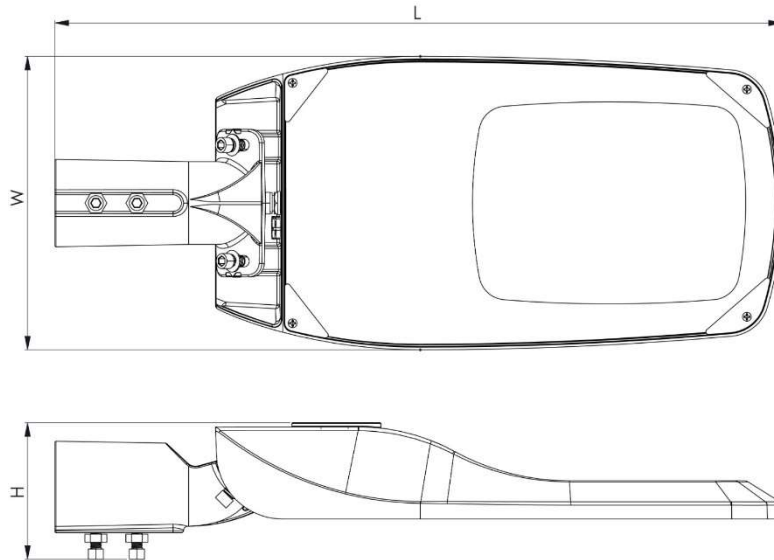
Features

- Die-Cast aluminium base & cover
- Glass diffuser
- Epoxy powder coated RAL7035
- IP66
- IK09

Options

- Mini Photo-cell (PCM)
- Nema Socket (NSP) * Specify if 3 or 7 pin is required*
- DALI Dimming (DA)
- Zaga book 18 for Casambi wireless control (ZBC)
- Custom RAL paint finish (RAL)

Dimensions

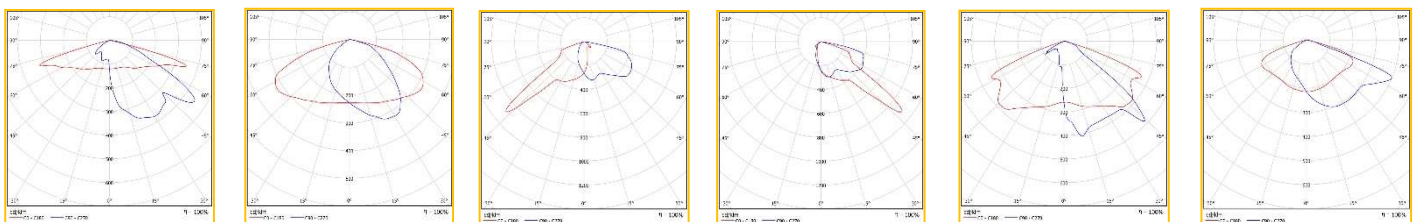


Product Code

THR-26-4K-7035-L***	Thurrock, 26w, 4K, 3,872lm, 559mm L x 216mm W x 93mm H
THR-32-4K-7035-L***	Thurrock, 32w, 4K, 4,835lm, 559mm L x 216mm W x 93mm H
THR-42-4K-7035-L***	Thurrock, 42w, 4K, 6,700lm, 559mm L x 216mm W x 93mm H
THR-58-4K-7035-L***	Thurrock, 58w, 4K, 8,677lm, 559mm L x 216mm W x 93mm H
THR-78-4K-7035-L***	Thurrock, 78w, 4K, 11,002lm, 559mm L x 216mm W x 93mm H

** Example – THR-42-4K-7035-LSM2 - Thurrock, 42w, 6,700lm RAL7035 c/w LSM2 optic **.

Optics



LSM 1

LSM 2

LSPL 1

LSPR 1

LSS 1

LSS 2

Contemporary and stylish wall mounted bulkhead

- Streets
- Car Parks
- Pedestrian Walkway



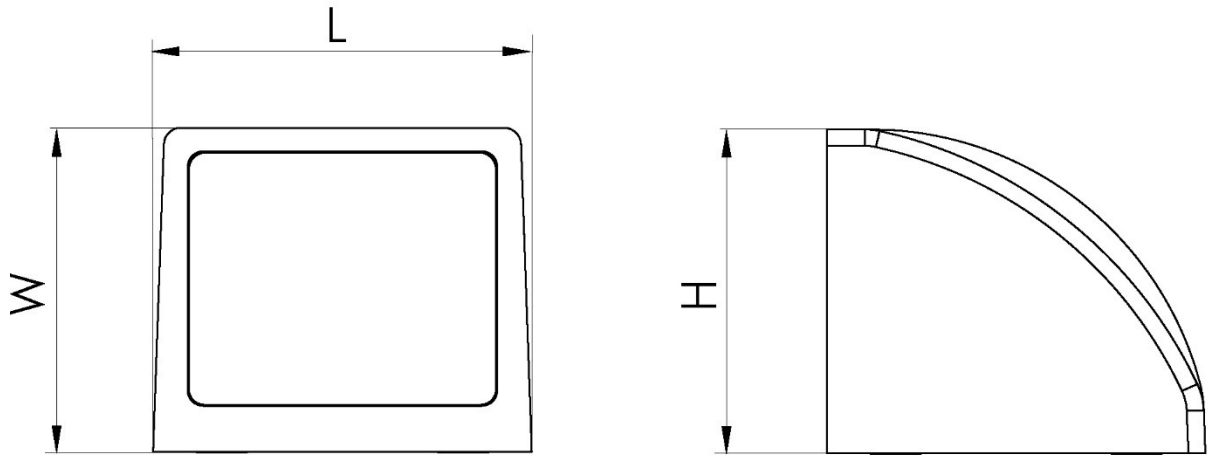
Features

- Die-Cast aluminium housing
- Glass diffuser
- Epoxy powder coated RAL7043 (other colours available on request)
- IP65
- IK08

Options

- Mini Photo-cell (**MPC**)
- DALI Dimming (**DA**)
- Custom RAL paint finish (**RAL**)

Dimensions



H = 111mm x L = 111mm x W = 95mm

Product Code

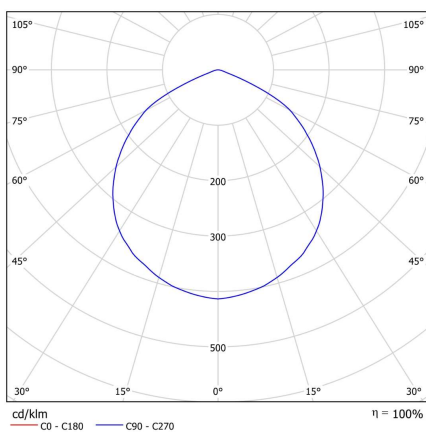
VAL-8-3K-7043-T90

Vale, 8w, 4K, 840lm, 111mm H x 111mm L x 95mm W

VAL-8-4K-7043-T90

Vale, 8w, 4K, 875lm, 111mm H x 111mm L x 95mm W

Optics



T90

A modern take on a traditional bollard available with three head options, Flat, Dome, Louvre with indirect light to reduce glare.

- Carparks
- Building perimeter
- Pathways



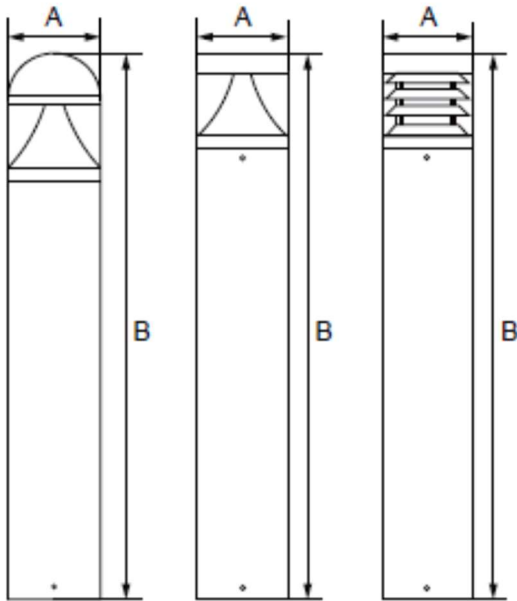
Features

- Die-Cast aluminium body
- Polycarbonate diffuser
- Epoxy powder coated RAL9005
- IP65
- IK09

Options

- Integrated 3hr emergency -Standard (**M3**) Self - Testing Emergency (**STE**)
- Micro-wave sensor (**MW1**)
- Photo-cell (**PC**)
- DALI Dimming (**DA**)
- Custom RAL paint finish (**RAL**)
- J-Bolt fixing Kit (**JB7000**)
- Root Mounting Kit (**RM7000**)

Dimensions



Dimensions

'A' 168mm x 'B' 1000mm

Product Code

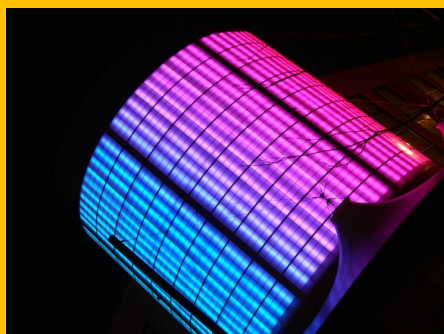
WIN-25-CCT-BK-F	Winchester flat top, 25w, 2340/2370lm, IP65, IK09, finished RAL9005
WIN-25-CCT-BK-D	Winchester dome top, 25w, 2340/2370lm, IP65, IK09, finished RAL9005
WIN-25-CCT-BK-L	Winchester louvre top, 25w,950/1000lm, IP65, IK09, finished RAL9005

** Suffix end of code with option required**

** Example – WIN-25-CCT-BK-F-M3

Winchester Bollard, flat top, 25w, c/w 3hr emergency

Commercial Lighting Solutions



Recessed backlit IP65 LED suitable for exposed tee 15/24mm & concealed grid ceiling.

- Classrooms
- Veterinary
- Hospitals
- Surgery
- Laboratory



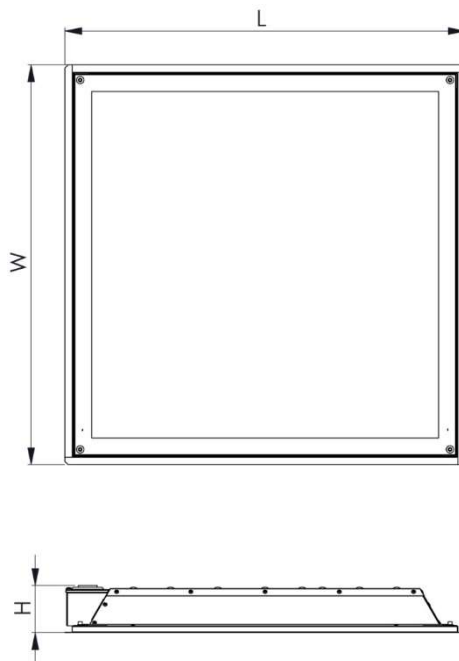
Features

- Fabricated Steel Body
- Extruded Aluminium bezel
- Epoxy powder coated RAL9016
- IP65 (From Face)
- Opal Satin Diffuser 850° Glow wire test

Options

- Integrated 3hr emergency -Standard **(M3)** – Self-Testing Emergency **(STE)**
- DALI Monitored emergency **(D3)**
- DALI **(DA)**
- Casambi Wireless Control **(BTC)**

Dimensions



Dimensions – 'L' 595mm x 'W' 595mm x 'H' 75mm

Product Code

CLN-26-4K-65 CLINILED, 26w, 4K, 3,322lm, IP65, Opal diffuser

CLN-33-4K-65 CLINILED, 33w, 4K, 4,332lm, IP65, Opal diffuser

** Suffix end of code **(M3)** for emergency facility or **(DA)** for DALI/Switch DIM or **(BTC)** for Casambi Wireless Control

**Example: CLN-26-4K-65-DA CliniLED, 26w, 4K c/w DALI

A stylish recessed drum minimal bezel with varying diameters from 300mm to 900mm

- Reception
- Core Areas
- Break-Out
- Offices
- Boardrooms



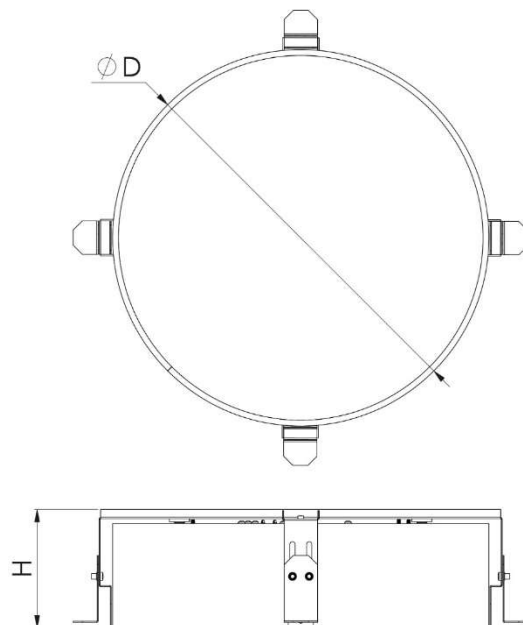
Features

- Fabricated steel body
- Steel side retaining brackets
- Epoxy powder coated RAL9016
- IP20
- Opal PMMA diffuser

Options

- Integrated 3hr emergency -Standard **(M3)** – Self-Testing Emergency **(STE)**
- DALI **(DA)**
- DALI Monitored emergency **(D3)**
- Casambi Wireless Control **(BTC)**

Dimensions



Product Code

DA-18-4K-OP-WH	DARTFORD 18w, 4K, 1898lm, 326mm Dia, 126mm H
DA-27-4K-OP-WH	DARTFORD 27w, 4K, 2574lm, 326mm Dia, 126mm H
DA-25-4K-OP-WH	DARTFORD 25w, 4K, 2876lm, 476mm Dia, 126mm H
DA-36-4K-OP-WH	DARTFORD 36w, 4K, 3914lm, 476mm Dia, 126mm H
DA-54-4K-OP-WH	DARTFORD 54w, 4K, 6275lm, 624mm Dia, 136mm H
DA-78-4K-OP-WH	DARTFORD 78w, 4K, 8540lm, 624mm Dia, 136mm H
DA-79-4K-OP-WH	DARTFORD 79w, 4K, 8790lm, 922mm Dia, 136mm H
DA-100-4K-OP-WH	DARTFORD 100w, 4K, 10847lm, 922mm Dia, 136mm H

** Example – DA-36-4K-OP-WH-DA

Dartford 36w, 3914lm 4K c/w DALI Dimming

Recessed backlit LED panel suitable for exposed tee 15/24mm

- Schools
- Colleges
- Hospitals
- Offices
- Boardrooms



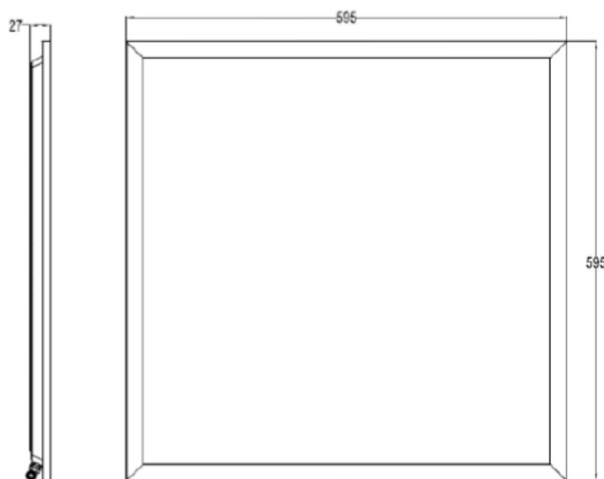
Features

- Steel Base
- Die-Cast Aluminium bezel
- Epoxy powder coated RAL9016
- IP20
- Opal Satin Diffuser 650° Glow wire test

Options

- Integrated 3hr emergency -Standard (**M3**) – Self-Testing Emergency (**STE**)
- DALI (**DA**)
- Casambi Wireless Control (**BTC**)

Dimensions



Product Code

DP-36-4K-WH

DELTA 36w, 4K, 595mm x 595mm LED panel

DP-36-4K-UGR-WH

DELTA 36w, 4K, UGR<19, 595mm x 595mm LED Panel

** Suffix end of code **(M3)** for emergency facility or **(DA)** for DALI/Switch DIM or **(BTC)** for Casambi Wireless Control

**Example: DP-36-4K-WH-DA

DELTA c/w DALI/Switch DIM Control

Recessed side lit LED panel suitable for exposed tee 15/24mm

- Schools
- Colleges
- Hospitals
- Offices
- Boardrooms



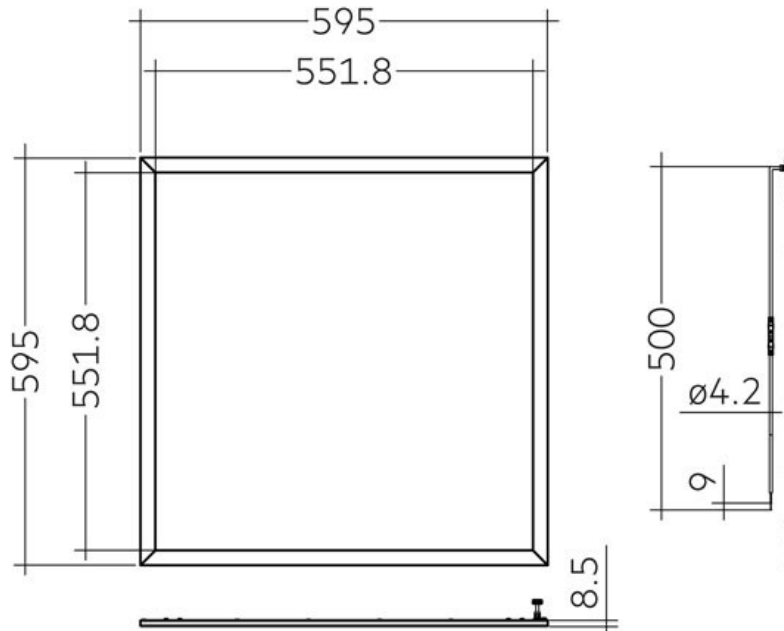
Features

- Aluminium base plate
- Die-Cast Aluminium bezel
- Epoxy powder coated RAL9016
- IP20
- Satin Diffuser 850° Glow wire test
- UGR<19

Options

- Integrated 3hr emergency -Standard (**M3**) – Self-Testing Emergency (**STE**)
- DALI (**DA**)
- Casambi Wireless Control (**BTC**)

Dimensions



Product Code

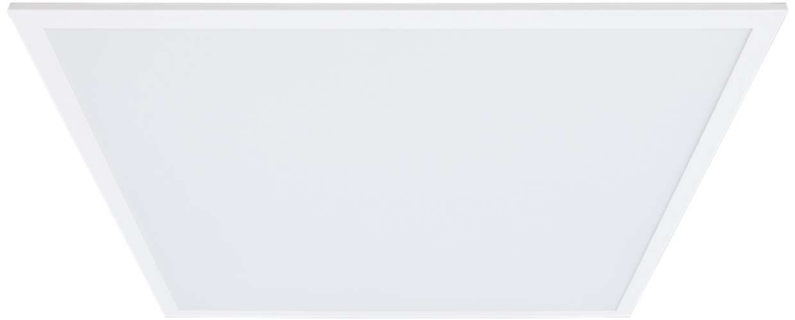
DPV-23-4K-UGR-WH	Delta Advance 23w, 3,049lm, 600mA, 4K, 595mm x 595mm LED panel
DPV-31-4K-UGR-WH	Delta Advance 31w, 4,295lm, 800mA, 4K, 595mm x 595mm LED panel
DPV-35-4K-UGR-WH	Delta Advance 35w, 4,447lm, 900mA, 4K, 595mm x 595mm LED panel

** Suffix end of code **(M3)** for emergency facility or **(DA)** for DALI/Switch DIM or **(BTC)** for Casambi Wireless Control

** Suffix 4K to 3K for 3000 Kelvin

Recessed backlit IP65 LED suitable for exposed tee 15/24mm

- Classrooms
- Veterinary
- Hospitals
- Showers Blocks
- Pharmacy



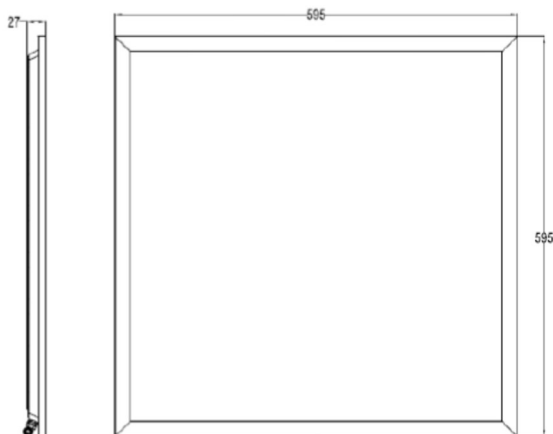
Features

- Steel Base
- Die-Cast Aluminium bezel
- Epoxy powder coated RAL9016
- Wattage Selectable
- IP65 (From Face)
- Opal Satin Diffuser 650° Glow wire test

Options

- Integrated 3hr emergency -Standard (**M3**) – Self-Testing Emergency (**STE**)
- DALI (**DA**)
- Casambi Wireless Control (**BTC**)

Dimensions



Product Code

DLP-WS-4K-WH

DELTA IP, wattage selectable between 20w – 40w

- 20w	500mA	2000lm	- 25w	620mA	2500lm
- 30w	750mA	3000lm	- 36w	900mA	3600lm
- 40w	1000mA	4000lm			

** Suffix end of code **(M3)** for emergency facility or **(DA)** for DALI/Switch DIM or **(BTC)** for Casambi Wireless Control

**Example: DLP-WS-4K-WH-DA

DELTA IP c/w DALI/Switch DIM Control

Recessed backlit UGR<19 LED panel suitable for exposed tee 15/24mm

- Schools
- Colleges
- Hospitals
- Offices
- Boardrooms



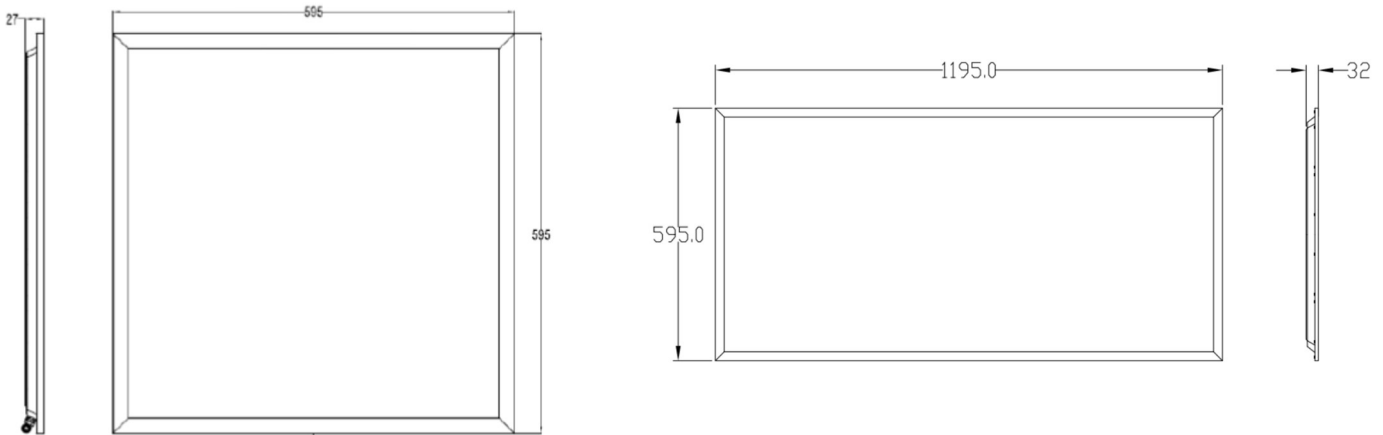
Features

- Steel Base
- Die-Cast Aluminium bezel
- Epoxy powder coated RAL9016
- Wattage Selectable
- IP20
- Opal Satin Diffuser 650° Glow wire test

Options

- Integrated 3hr emergency -Standard (**M3**) – Self-Testing Emergency (**STE**)
- DALI (**DA**)
- Casambi Wireless Control (**BTC**)

Dimensions



Product Code

DP-WS-4K-WH

DELTA Pro, wattage selectable between 20w – 40w

DP-60-4K-UGR-WH

DELTA Pro, 1195 x 595mm, 60w, 6000lm

- 20w	500mA	2000lm	- 25w	620mA	2500lm
- 30w	750mA	3000lm	- 36w	900mA	3600lm
- 40w	1000mA	4000lm			

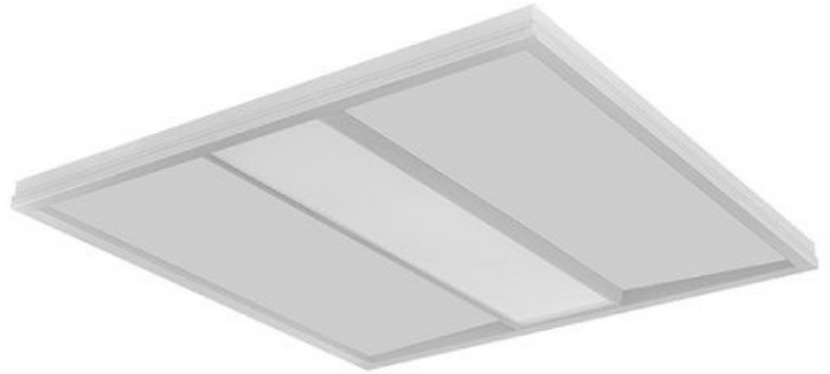
** Suffix end of code (**M3**) for emergency facility or (**DA**) for DALI/Switch DIM or (**BTC**) for Casambi Wireless Control

**Example: DP-WS-4K-WH-DA

DELTA Pro c/w DALI/Switch DIM Control

Recessed backlit Direct/Indirect UGR<19 LED panel suitable for exposed tee 15/24mm

- Schools
- Colleges
- Hospitals
- Offices
- Boardrooms



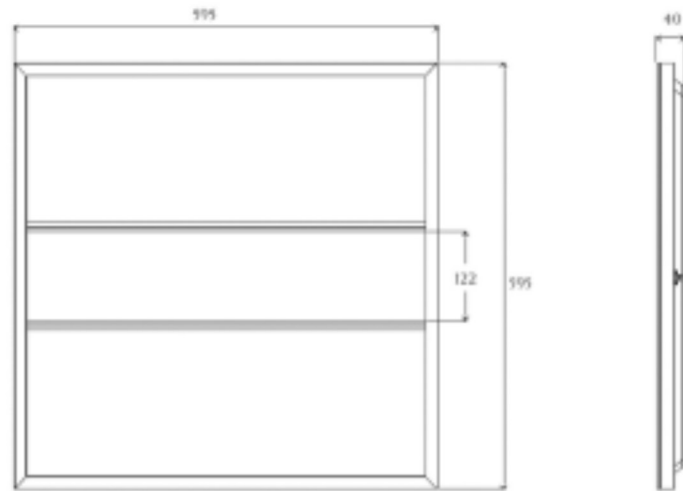
Features

- Steel Base
- Die-Cast Aluminium bezel
- Epoxy powder coated RAL9016
- Wattage Selectable
- IP20
- Opal Satin Diffuser 650° Glow wire test

Options

- Integrated 3hr emergency -Standard **(M3)** – Self-Testing Emergency **(STE)**
- DALI **(DA)**
- Casambi Wireless Control **(BTC)**

Dimensions



Product Code

ER2-WS-4K-WH

ERITH 2, wattage selectable between 20w – 40w

- 20w	500mA	2000lm	- 25w	620mA	2500lm
- 30w	750mA	3000lm	- 36w	900mA	3600lm
- 40w	1000mA	4000lm			

** Suffix end of code **(M3)** for emergency facility or **(DA)** for DALI/Switch DIM or **(BTC)** for Casambi Wireless Control

**Example: ER2-WS-4K-WH-DA

ERITH 2 c/w DALI/Switch DIM Control

Stylish recessed standalone or continuous system various length, colours, combinations available

- Classrooms
- Offices
- Hospitals
- Meeting Rooms
- Atriums



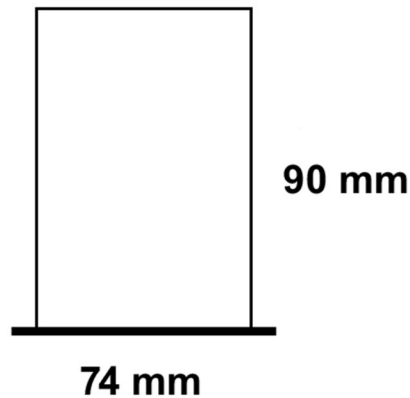
Features

- Extruded aluminium body epoxy powder coated all RAL options available
- Stand alone & continuous
- Direct
- Micro-prism optic option
- Philips LED and driver system for optimum performance
- Premium white Ra90 LED module available

Options

- Micro-prism optic – **(MP19)**
- Opal PMMA – **(OP)**
- Tuneable white – **(TW)**
- DALI – **(DA)**
- Casambi wireless bluetooth control **(BTC)**
- CRI 90 – **(Ra9)**
- Standard 3hr emergency – **(M3)** – Self-Testing emergency – **(STE)**
- DALI monitored emergency – **(D3)**

Dimensions

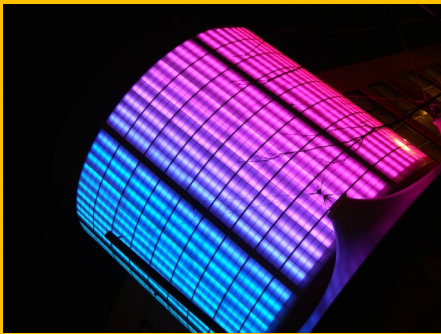


Product Code

LINA 60 R is available as fully customisable product from a single stand-alone unit to continuous lines of light with intersections, Tee's, Elbows. LINA has the option for optics, paint colour, lumen outputs and is available trim less upon request, the product has untold capabilities.

LINA 60 R is quoted per project please consult our Sales Office with your requirements and a specific quote will be raised against your project.

Commercial Lighting Solutions



- Gymnasium
- Industrial
- Distribution Centre
- Sports Hall



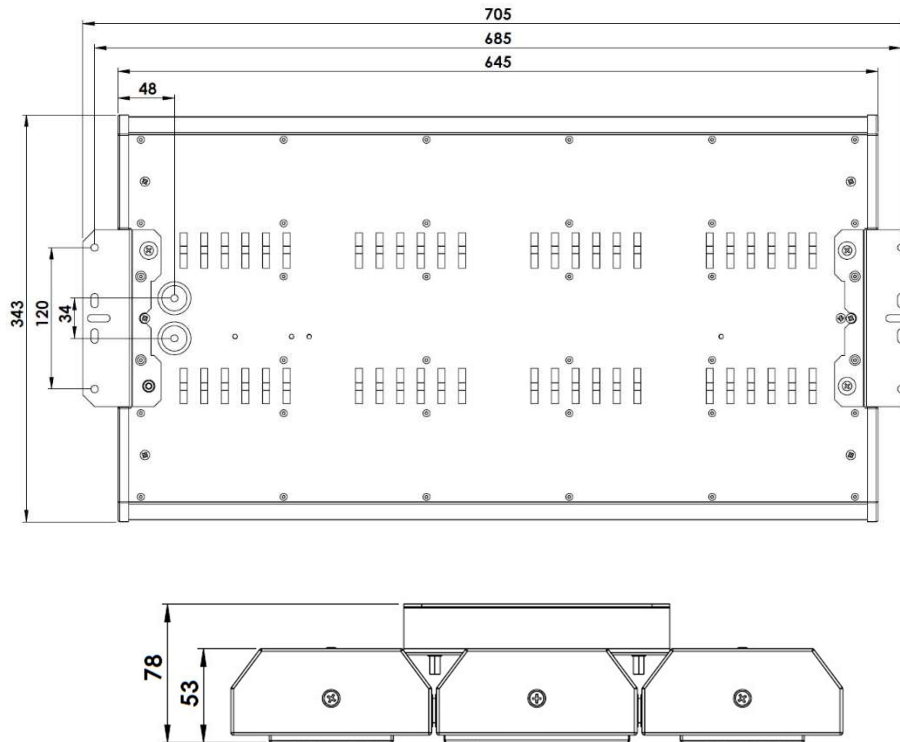
Features

- Aluminium extruded body
- Asymmetric and Symmetric options
- Wire guard option
- Epoxy powder coated RAL9010
- IP20
- IK10

Options

- DALI (DA)
- 3hr emergency (M3) - Self-Test emergency (STE) – DALI monitored emergency (D3)
- Casambi Wireless Control (BTC)
- Wire guard (WGW)
- Suspension Kit (SUS-2M)
- PIR Sensor (PIRD)

Dimensions



Product Code

ARD-70-4K-WH-L60	Ardent, 70w, 12,350lm, 4K c/w 60 degree optic
ARD-80-4K-WH-L60	Ardent, 80w, 12,891lm, 4K c/w 60 degree optic
ARD-90-4K-WH-L60	Ardent, 90w, 15,367lm, 4K c/w 60 degree optic
ARD-115-4K-WH-L60	Ardent, 115w, 18,863lm, 4K c/w 60 degree optic
ARD-135-4K-WH-L60	Ardent, 135w, 22,357lm, 4K c/w 60 degree optic
ARD-160-4K-WH-L60	Ardent, 160w, 25,649lm, 4K, c/w 60 degree optic
ARD-170-4K-WH-L60	Ardent, 170w, 28,148lm, 4K, c/w 60 degree optic

*Suffix end of code L** to optic option*

(L40) 40° x 40° optic

(L30x65) 30° x 65° optic

(L75) 75° x 75° optic

(L90) 90° x 90° optic

Surface/Wall mounted non-corrosive c/w opal polycarbonate diffuser & stainless steel clips

- Car Park
- Boiler Room
- Bike Shed
- Industrial
- Workshop
- Laundry



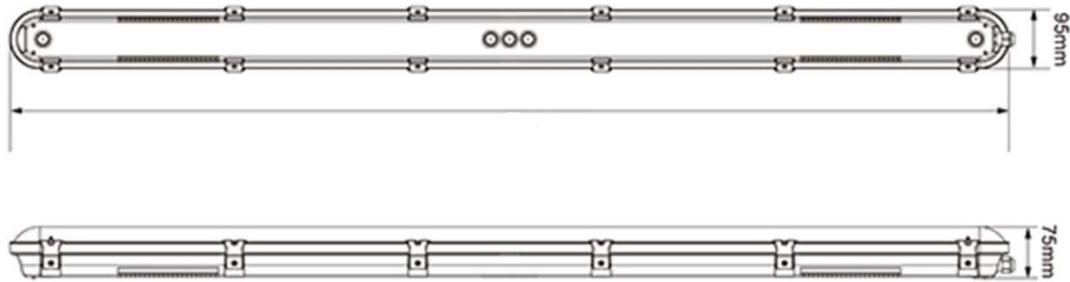
Features

- UPVC moulded housing
- Opal UV stabilised polycarbonate diffuser
- Stainless Steel clip
- IK08
- IP65

Options

- Integrated 3hr emergency -Standard (**M3**)
- Batten mounted PIR Sensor (**BPIR**)

Dimensions



Product Code

ARN-19-4K-65	Arrow, 19w, 2800lm, 1270mm body, opal diffuser
ARN-38-4K-65	Arrow, 38w, 5000lm, 1270mm body, opal diffuser
ARN-30-4K-65	Arrow, 30w, 4100lm, 1490mm body, opal diffuser
ARN-50-4K-65	Arrow, 50w, 6900lm, 1490mm body, opal diffuser

** Suffix end of code (**M3**) for emergency facility or (**BPIR**) PIR Sensor or (**BTC**) for Casambi Wireless Control

**Example: ARN-38-4K-65-BPIR Arrow 38w c/w Batten mounted PIR Sensor

Seamless DOT free flexible silicone extrusion IP68

- Building facades
- External furniture
- Planters
- Handrails
- Coffered details



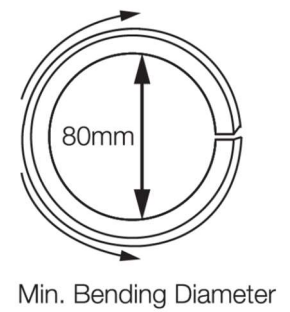
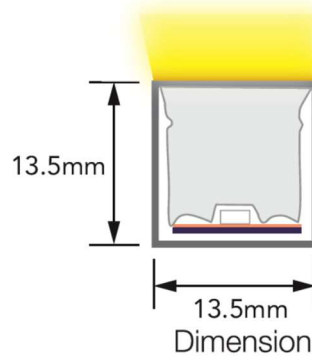
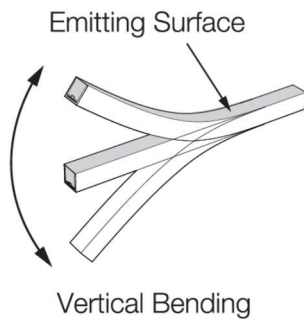
Features

- DC 24v
- 10w, 500lm per mtr
- CRI Ra >80
- IP68
- 5mtr to 30mtr reel options
- CCT, RGB & RGB-W options
- Cut points every 83.3mm

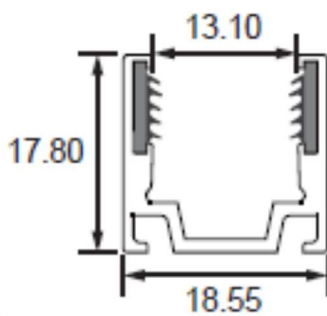
Options

- DALI - (DA)
- 1-10v- (1-10)
- TRIAC – (MDIM)
- Casambi Wireless Control - (BTC)

Dimensions



Mounting detail



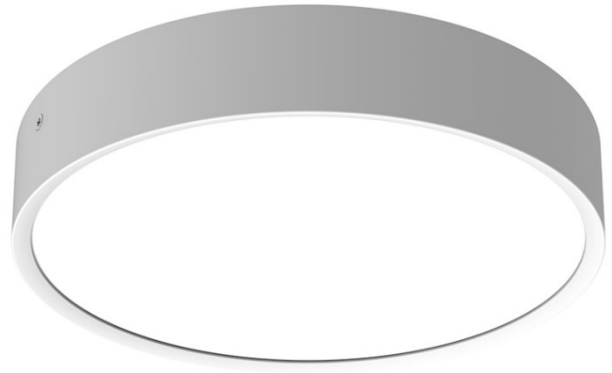
Aluminium mounting channel available in 1mtr & 2mtr length anodised finish

Aura-flex is made to order product, is fully customisable with lot of options please speak to our sales office with your requirements and a specific project quotation will be raised

Stylish smooth contour injection moulded bulkhead anti-tamper bezel with an opal polycarbonate diffuser.

Applications

- Corridors
- Stairwells
- Break-Out
- Receptions
- Lobbies
- Classrooms



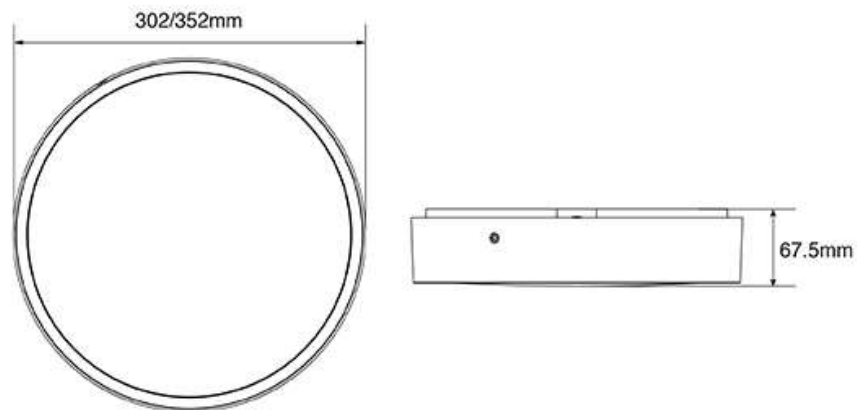
Features

- UPVC Moulded housing
- Opal UV stabilised polycarbonate diffuser
- Anti-tamper twist lock bezel
- CCT Switchable
- IK10
- IP65

Options

- White (**WH**) Or Black (**BK**)
- Integrated 3hr emergency -Standard (**M3**) – Self Testing (**STE**)
- Microwave Sensor (**MW1**)

Dimensions



Product Code

CHT-15-CCT-WH Chant 15w, 1500lm, 302mm body, white bezel

CHT-25-CCT-WH Chant 25w, 2500lm, 352mm body, white bezel

** Suffix WH to BK for black bezel

** Suffix end of code (M3) for emergency facility or (MW1) for Microwave sensor

Example: CHT-15-CCT-WH-M3-MW1

Chant c/w 3hr Emergency and Microwave sensor

Stylish low-profile surface or suspended stand-alone LED.

- Classrooms
- Offices
- Hospitals
- Meeting Rooms
- Atriums



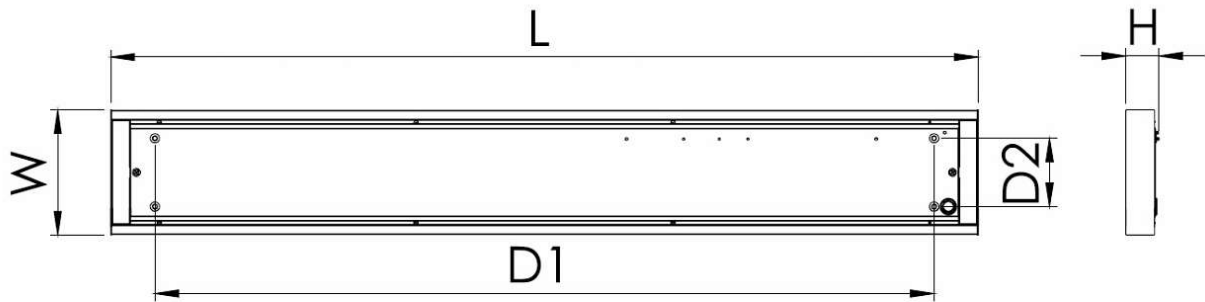
Features

- Steel fabricated body epoxy powder coated all RAL options available
- Stand-alone Direct Or Direct/Indirect
- Opal or Micro-Prism optic option
- Vossloh LED and driver system for optimum performance
- Premium white Ra90 LED module available

Options

- Micro-prism optic – **(MP19)**
- Opal PMMA – **(OP)**
- Tuneable white – **(TW)**
- DALI – **(DA)**
- Casambi wireless bluetooth control **(BTC)**
- CRI 90 – **(Ra9)**
- Standard 3hr emergency – **(M3)**
- DALI monitored emergency – **(D3)**
- Suspension Kit – **(SUS-2M)**

Dimensions



L, mm	W, mm	H, mm	D1, mm	D2, mm	weight, kg
1216	176	47	1092	96	4.10
1496	176		1372		5.10

Product Code

FZ-26-4K-WH	Frazer, 26w, 3,997lm, 4K, 1215mm, finished RAL9003
FZ-38-4K-WH	Frazer, 38w, 5,447lm, 4K, 1215mm, finished RAL9003
FZ-34-4K-WH	Frazer, 34w, 5,114lm, 4K, 1496mm, finished RAL9003
FZ-48-4K-WH	Frazer, 48w, 6,968lm, 4K, 1496mm, finished RAL9003

** Suffix 4K to 3K for 3000 Kelvin

** Example: FZ-38-4K-WH-DA-BTC-SUS-2M

Frazer 38w c/w 4K LED's, white body, DALI and Casambi wireless control with 2mtr suspension kit

Stylish low profile spun aluminium bulkhead c/w opal polycarbonate diffuser.

Applications

- Corridors
- Stairwells
- Break-Out
- Receptions
- Lobbies
- Classrooms



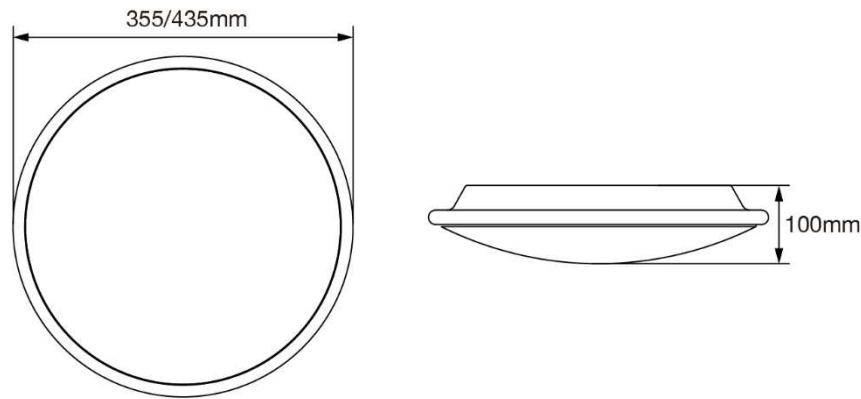
Features

- Aluminium spun housing
- Opal UV stabilised polycarbonate diffuser
- Epoxy power coated RAL9016 as standard
- 2 CCT Switchable
- Tridonic Driver
- IP20

Options

- Integrated 3hr emergency -Standard **(M3)** – Self Testing **(STE)**
- Microwave Sensor **(MW1)**
- Casambi Wireless Control **(BTC)**
- Custom body finishes available on request **(RAL)**

Dimensions



Product Code

LA-20-CCT-WH Lancing 20w, 1680lm, 355mm body finished white.

LA-27-CCT-WH Lancing 27w, 2750lm, 435mm body finished white.

** Suffix WH to RAL for Custom body finish

** Suffix end of code (M3) for emergency facility or (MW1) for Microwave sensor

Example: LA-20-CCT-WH-M3-MW1

Lancing c/w 3hr Emergency and Microwave sensor

Surface mounted decorative luminaire with steel spun bezel, Lumaxx diffuser

- Corridors
- Dormitory
- Communal Areas
- Toilets



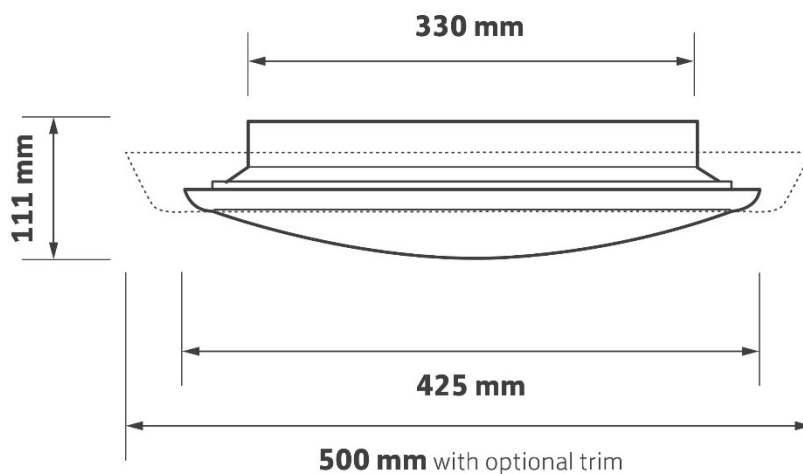
Features

- Polycarbonate body
- Lumaxx diffuser 850° glow wire tested
- Steel Spun Bezel
- Epoxy powder coated RAL9016 (Other colour options available on request)
- IP40

Options

- Integrated 3hr emergency -Standard (**M3**) – Self-Testing Emergency (**STE**)
- DALI Monitored Emergency (**DA3**)
- DALI (**DA**)
- Microwave Sensor (**MW1**)
- Casambi Wireless Control (**BTC**)

Dimensions



Product Code

LEA-13-4K-WH	Leah, 13w, 4K, 1375lm. 500mm body finished RAL9016
LEA-16-4K-WH	Leah, 16w, 4K, 2025lm, 500mm body finished RAL9016
LEA-20-4K-WH	Leah, 20w, 4K, 2750lm, 500mm body finished RAL9016

** Suffix end of code **(M3)** for emergency facility or **(DA)** for DALI/Switch DIM or **(BTC)** for Casambi Wireless Control or **(MW1)** Microwave sensor

**Example: LEA-13-4K-WH-MW1 Leah 13w, 1969lm, 4K, white c/w microwave sensor

Stylish wall mounted linear extruded module c/w opal polycarbonate diffuser .

Applications

- Corridors
- Stairwells
- Break-Out
- Receptions
- Lobbies
- Classrooms



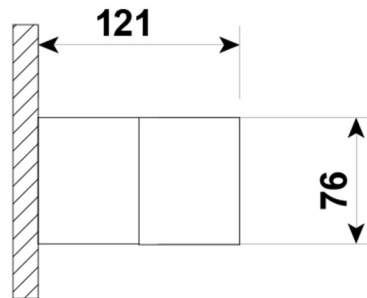
Features

- Extruded aluminium section.
- Opal UV stabilised polycarbonate diffuser
- Epoxy powder coated finish RAL 9010 as standard.
- Direct/Indirect illumination
- IK05
- IP40

Options

- White (**WH**), Black (**BK**), Grey (**GR**) other colours available on request
- Integrated 3hr emergency -Standard (**M3**) – Self Testing (**STE**)
- Integral PIR Sensor (**PIR**) only available on fittings over 1200mm
- Micro-Prism diffuser UGR<19 (**MPO**)
- Casambi Wireless control (**BTC**)

Dimensions



Product Code

LIN6W-20-4K-DI-WH	LINA 60 W, 20w, 2739lm, 587mm body, finished white RAL9003
LIN6W-33-4K-DI-WH	LINA 60 W, 33w, 4565lm, 868mm body, finished white RAL9003
LIN6W-46-4K-DI-WH	LINA 60 W, 46w, 6391lm, 1149mm body, finished white RAL9003

** Suffix WH to BK or GR for preferred colour

** Suffix end of code for emergency facility, PIR, Wireless control, Micro-prism diffuser

Example: LIN6W-33-DI-GR-MPO

Lina 60 W finished grey c/w micro-prism diffuser

A decorative modern circular ceiling / Wall mounted LED with options of body sizes.

- Corridors
- Offices
- Communal Areas
- Education
- Public Places



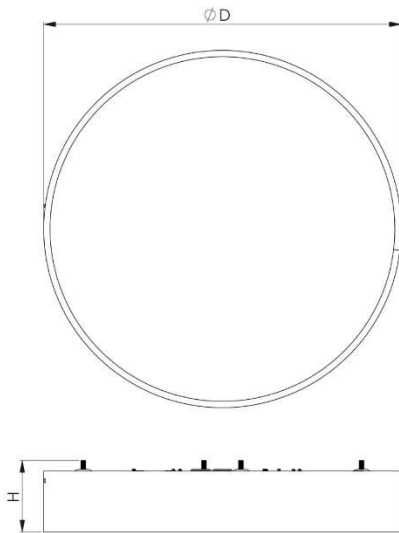
Features

- Rolled steel body
- PMMA UV stabilized acrylic
- Epoxy powder coated RAL9003 (Other colour options available on request)
- IP40

Options

- Integrated 3hr emergency -Standard (**M3**) – Self-Testing Emergency (**STE**)
- DALI Monitored Emergency (**DA3**)
- DALI (**DA**)
- Microwave Sensor (**MW1**)
- Casambi Wireless Control (**BTC**)
- Micro-Prism UGR<19 diffuser (**MPO**)
- Suspension kit (**SUS/2M**)

Dimensions



D – 300 / 450 / 600 / 900mm x H - 77mm

Product Code

RIS-20-4K-WH	Ribble, 20w, 4K, 2851lm. 300mm body finished RAL9003
RIS-25-4K-WH	Ribble, 25w, 4K, 4011lm, 450mm body finished RAL9003
RIS-36-4K-WH	Ribble, 36w, 4K, 5595lm, 450mm body finished RAL9003
RIS-38-4K-WH	Ribble, 38w, 4K, 6157lm, 600mm body finished RAL9003
RIS-52-4K-WH	Ribble, 52w, 4K, 8604lm, 600mm body, finished RAL9003
RIS-60-4K-WH	Ribble, 60w, 4K, 9821lm, 900mm body, finished RAL9003
RIS-68-4K-WH	Ribble, 68w, 4K, 11480lm, 900mm body, finished RAL9003

** Suffix end of code (**M3**) for emergency facility or (**DA**) for DALI/Switch DIM or (**BTC**) for Casambi Wireless Control or (**MW1**) Microwave sensor

**Example: RIS-60-4K-WH-MW1

Ribble 60w, 9821lm, 4K, white c/w microwave sensor

Surface mounted Anti-Ligature luminaire IP65, IK10

- Hospitals
- Mental Health Units
- Detention Centre



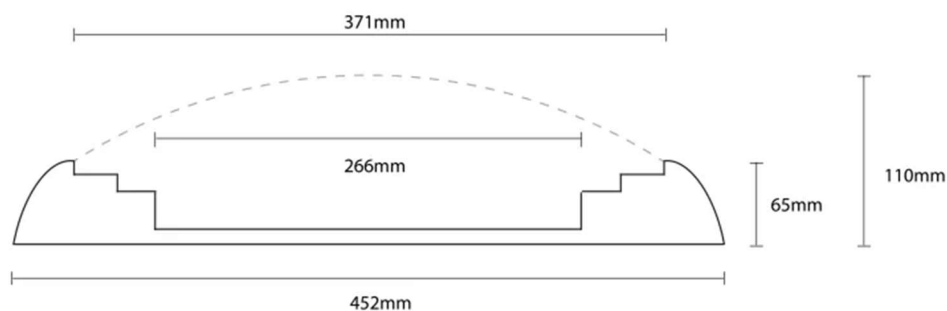
Features

- 1.2mm Aluminium Base
- Die-Cast Aluminium bezel
- Epoxy powder coated RAL9016
- IP65
- IK10
- Lumaxx Satin Diffuser 850° Glow wire test

Options

- Integrated 3hr emergency -Standard **(M3)** – Self-Testing Emergency **(STE)**
- DALI Monitored Emergency **(DA3)**
- DALI **(DA)**
- Microwave Sensor **(MW1)**
- Casambi Wireless Control **(BTC)**

Dimensions



Product Code

SA-9-4K-WH	Salus, 9w, 4K, 1390lm, 452mm body finished RAL9016
SA-13-4K-WH	Salus, 13w, 4K, 1969lm, 452mm body finished RAL9016
SA-19-4K-WH	Salus, 19w, 4K, 2733lm, 452mm body finished RAL9016
SA-25-4K-WH	Salus, 25w, 4K, 3510lm, 452mm body finished RAL9016

** Suffix end of code **(M3)** for emergency facility or **(DA)** for DALI/Switch DIM or **(BTC)** for Casambi Wireless Control or **(MW1)** Microwave sensor

**Example: SA-13-4K-WH-MW1 Salus 13w, 1969lm, 4K, white c/w microwave sensor

Seamless DOT free LED array tape with high CRI

- Under Cupboards
- Plinths
- Desks
- Handrails
- Coffe details



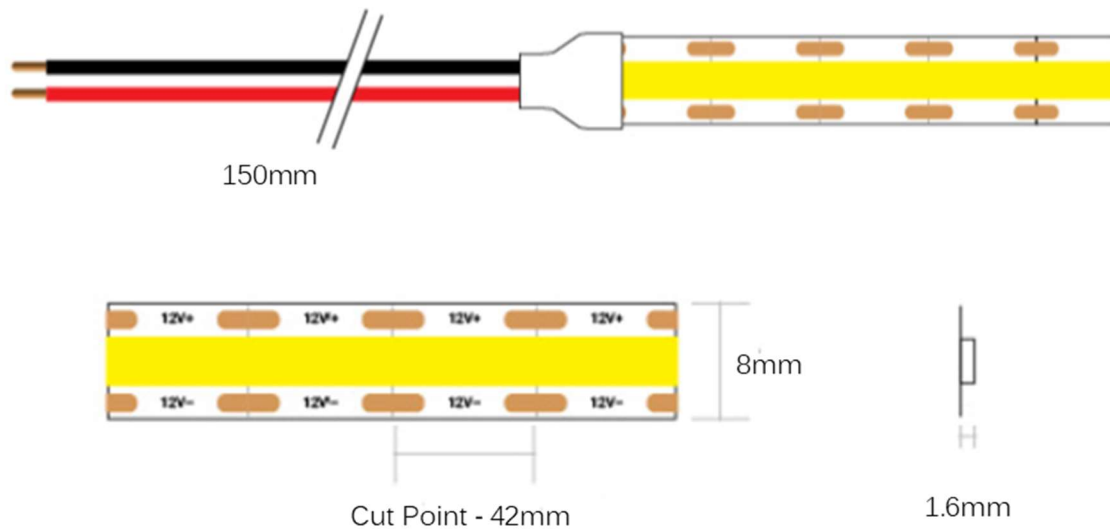
Features

- DC 24v
- High CRI Ra >90
- IP65 & IP67 options available
- 5mtr and 10mtr reel options
- CCT, RGB & RGB-W options

Options

- DALI - **(DA)**
- 3hr remote emergency facility - **(CV-M3)**
- Casambi Wireless Control - **(BTC)**

Dimensions



Product Code

SBL-0621-COB-504-X-**	8mm, 504 COB tape 12w/m, 1080lm/m, 24v, 180° single colour
SBL-0922-COB-526-X-10mm-**	10mm 528 COB tape 15w/m, 1500lm/m, 24v, 180° single colour
SBL-COB-RGB-840-DC24V	10mm RGB tape, 15w/m, 600lm/m, 24v, 180° colour change
SBL-COB-CCT-640-DC24V	10mm CCT tape, 8w/m, 800lm/m, 24v, tri-colour 2700-6500K
SBL-COB-RGBW-896-DC24V	12mm, RGBW, 16w/m, 32.5lm/m, 24v, colour change + White

Suffix ** with CCT required: 27K (2700) 3K (3000) 4K (4000) 6K (6500)

Surface mounted linear with steel base, moulded end caps, hinged opal polycarbonate diffuser

- Classrooms
- Canteens
- Offices
- Hospitals
- Workshop
- Retail



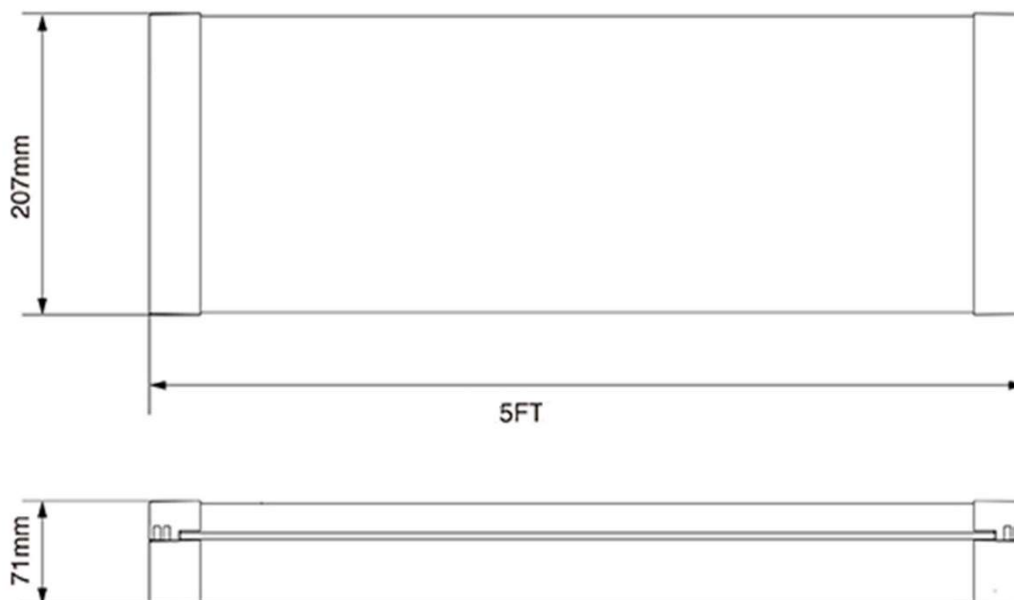
Features

- Steel Base
- Hinged opal UV stabilised polycarbonate diffuser
- CCT Switchable
- Wattage Selectable
- IP20

Options

- Integrated 3hr emergency -Standard **(M3)** – Self-Testing Emergency **(STE)**
- Microwave Sensor **(MW1)**
- Casambi Wireless Control **(BTC)**

Dimensions



Product Code

STM-WS-CCT-WH

Stamford, wattage selectable with switchable CCT

- 25w	200mA	3500lm	- 31w	250mA	4450lm
- 37w	300mA	5530lm	- 45w	350mA	6200lm

** Suffix end of code (**M3**) for emergency facility or (**MW1**) for Microwave Sensor or (**BTC**) for Casambi Wireless Control

Example: STM-WS-CCT-WH-BTC

Stamford c/w Casambi Wireless control

Surface/Wall mounted non-corrosive c/w opal polycarbonate diffuser & stainless steel clips

- Car Park
- Boiler Room
- Bike Shed
- Industrial
- Workshop
- Laundry



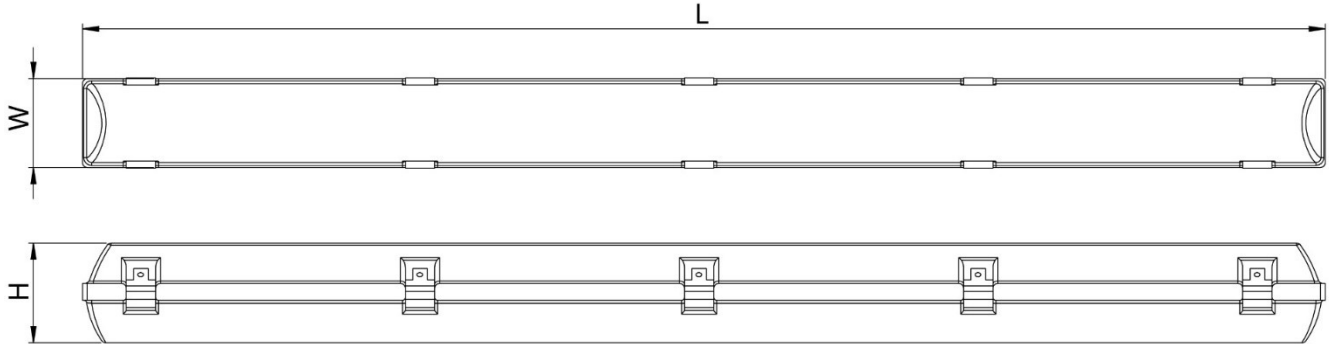
Features

- UPVC moulded housing
- Opal UV stabilised polycarbonate diffuser
- Stainless Steel clip
- IK10 – BSEN 2262
- IP65

Options

- Integrated 3hr emergency -Standard **(M3)** - Self Testing Emergency **(STE)**
- DALI Monitor Emergency **(D3)**
- DALI **(DA)**
- Batten mounted PIR Sensor **(BPIR)**
- Mirco-wave Sensor **(MW1)**

Dimensions



Dimensions – 'W' Single 96mm – Twin 146mm x 'H' 111mm

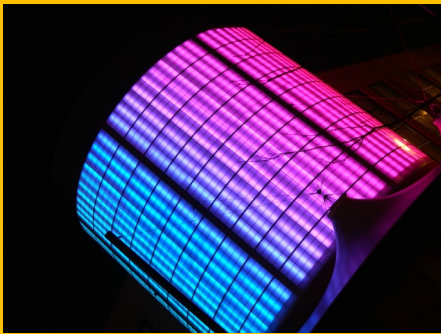
Product Code

VN-15-4K-65-OP	VENTNOR, 15w, 2,268lm, 662mm body, opal diffuser
VN-18-4K-65-OP	VENTNOR, 18w, 2,674lm, 662mm body, opal diffuser
VN-26-4K-65-OP	VENTNOR, 26w, 3,742lm, 1275mm body, opal diffuser
VN-36-4K-65-OP	VENTNOR, 36w, 5,348lm, 1275mm body, opal diffuser
VN-31-4K-65-OP	VENTNOR, 31w, 4,676lm, 1575mm body, opal diffuser
VN-45-4K-65-OP	VENTNOR, 45w, 6,685lm, 1575mm body, opal diffuser
VN-59-4K-65-OP	VENTNOR, 59w, 8,666lm, 1575mm body, opal diffuser

** Suffix end of code (**M3**) for emergency facility or (**BPIR**) PIR Sensor or (**BTC**) for Casambi Wireless Control

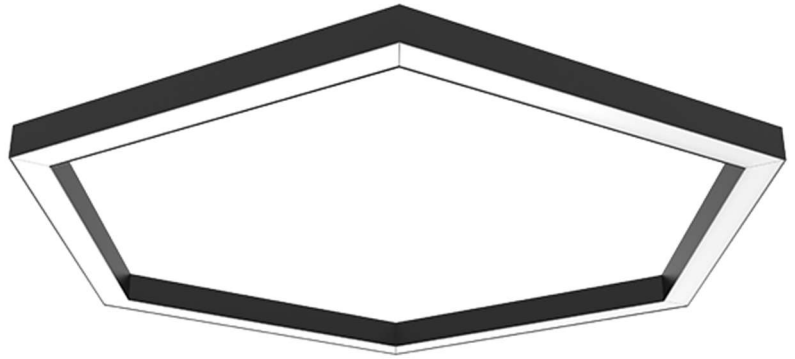
**Example: VN-31-4K-65-BPIR Ventnor 31w c/w Batten mounted PIR Sensor

Commercial Lighting Solutions



Stylish suspended standalone Hexagon available with various RAL colour & wattage options.

- Classrooms
- Offices
- Hospitals
- Meeting Rooms
- Atriums
- Break-Out



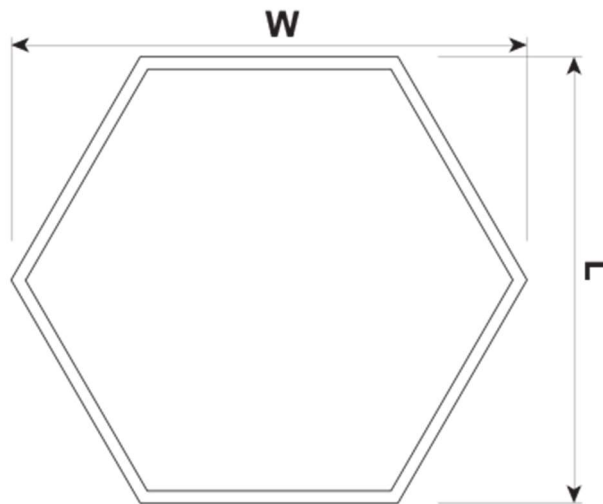
Features

- Extruded aluminium body epoxy powder coated all RAL options available
- Stand alone
- Direct light
- Philips or Tridonic LED and driver system for optimum performance
- Premium white Ra90 LED module available
- CRI >80

Options

- Micro-prism optic – (MP19H)
- Opal PMMA – (OP)
- Tuneable white – (TW)
- DALI – (DA)
- Casambi wireless blue tooth control (BTC)
- CRI 90 – (Ra9)
- Standard 3hr emergency – (M3)
- DALI monitored emergency – (D3)

Dimensions

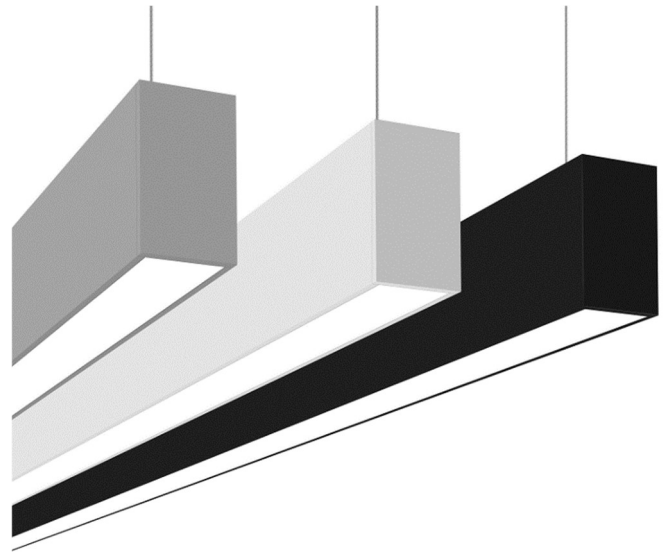


Product Code

Hexx is a fully customisable product with direct light, opal lens as standard or option of micro-prism (MP19H), with option of body colour and size, all RAL available, various wattage options LO – Low output HO – High out, please consult our sales office with your requirements for a specific project quotation.

Stylish surface or suspended stand alone or continuous direct or direct/indirect LED system.

- Classrooms
- Offices
- Hospitals
- Meeting Rooms
- Atriums



Features

- Extruded aluminium body epoxy powder coated all RAL options available
- Stand alone or continuous mounted
- Direct and Direct / Indirect option
- Philips LED and driver system for optimum performance
- Premium white Ra90 LED module available

Options

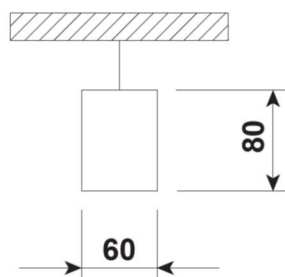
- Micro-prism optic – (MP19)
- Opal PMMA – (OP)
- Tuneable white – (TW)
- DALI – (DA)
- Casambi wireless bluetooth control (BTC)
- CRI 90 – (Ra9)
- Standard 3hr emergency – (M3)
- DALI monitored emergency – (D3)

Dimensions

Continuous mounting



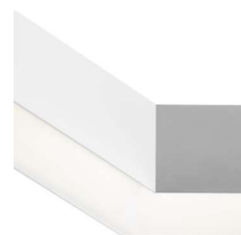
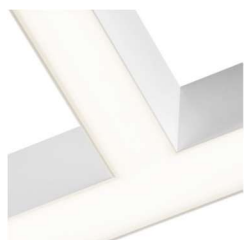
Stand alone



Product Code

Lina 60 is available as a fully customisable products from a single stand-alone unit to continuous lines of light with Intersections, Tee's, elbows. Lina has the option of optics, paint colours and lumen outputs and is available suspended or surface mounted the product has untold capabilities.

LINA 60 is priced per project please consult our Sales Office with your requirements and a specific quote will be raised against your project.



Lina 60 DLO

Ultra low-glare high performance surface/suspended linear LED, UGR <14 130lm/tcw, option of body colours & lens.

- Offices
- Board rooms
- Showrooms
- Retail



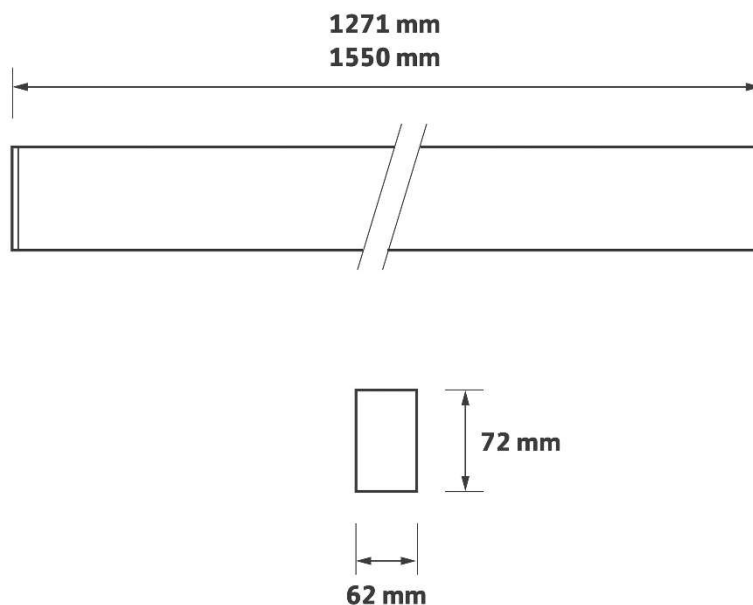
Features

- Premium matt black dark-light baffle as standard
- Features 50° office LED as standard
- Tridonic LED and driver system inside
- RAL9003 white as standard with black and grey options
- Available in 1.2m and 1.5m lengths

Options

- Integrated 3hr emergency -Standard (**M3**) - Self Testing Emergency (**STE**)
- DALI Monitor Emergency (**D3**)
- DALI (**DA**)
- Wide Beam 80° (**WB**)
- White soft light baffle (**WSB**)
- Casambi wireless control (**BTC**)
- Suspension Kit (**SUS-2-2M**)
- Grey body – (**GR**)
- Black body – (**BK**)

Dimensions



Product Code

LDL-14-4K-DL-GR-1.2-LO	Lina 60 DLO, 14w, 1,925lm, 1271mm grey body, low output
LDL-20-4K-DL-GR-1.2	Lina 60 DLO, 20w, 2,850lm, 1271mm grey body standard output
LDL-27-4K-DL-GR-1.2-HO	Lina 60 DLO, 27w, 3,750lm, 1271mm grey body High output
LDL-17-4K-DL-GR-1.5-LO	Lina 60 DLO, 17w, 2,400lm, 1559mm grey body, low output
LDL-25-4K-DL-GR-1.5	Lina 60 DLO, 25w, 3,575lm, 1559mm grey body, standard output
LDL-33-4K-DL-GR-1.5-HO	Lina 60 DLO, 33w, 4,675lm, 1559mm grey body, high output

** Suffix end of code **(M3)** for emergency facility or **(BTC)** for Casambi Wireless Control**

Example: LDL-20-4K-DL-GR-1.2-BTC Lina 60 DLO, 20w, 4K, 1271mm body, c/w Casambi

A decorative modern square pendant mounted LED with options of body sizes.

- Receptions
- Offices
- Communal Areas
- Education
- Public Places



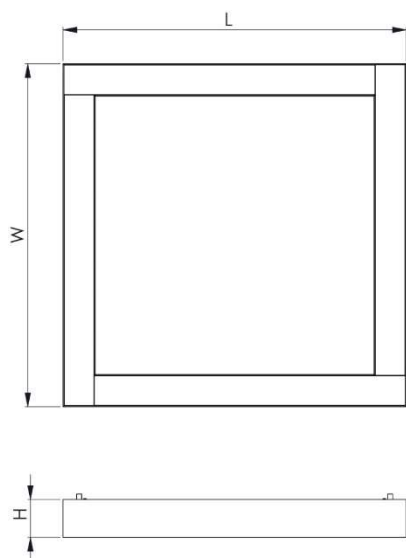
Features

- Extruded aluminium section
- PMMA UV stabilized opal acrylic diffuser
- Epoxy powder coated RAL9003 (Other colour options available on request)
- IP40

Options

- Integrated 3hr emergency -Standard (**M3**) – Self-Testing Emergency (**STE**)
- DALI Monitored Emergency (**DA3**)
- DALI (**DA**)
- Casambi Wireless Control (**BTC**)
- Micro-Prism UGR<19 diffuser (**MPO**)
- Suspension kit (**SUS/2M**)

Dimensions



L – 600 / 900 / 1200 x W – 600 / 900 / 1200 x H - 68mm

Product Code

OUS-24-4K-WH	Ouse, 24w, 4K, 2,807lm. 600mm x 600mm body finished RAL9003
OUS-34-4K-WH	Ouse, 34w, 4K, 3,825lm. 600mm x 600mm body finished RAL9003
OUS-50-4K-WH	Ouse, 50w, 4K, 5,258lm. 600mm x 600mm body finished RAL9003
OUS-36-4K-WH	Ouse, 36w, 4K, 3,765lm. 900mm x 900mm body finished RAL9003
OUS-52-4K-WH	Ouse, 52w, 4K, 5,124lm. 900mm x 900mm body finished RAL9003
OUS-77-4K-WH	Ouse, 77w, 4K, 6,949lm. 900mm x 900mm body finished RAL9003
OUS-48-4K-WH	Ouse, 48w, 4K, 5,020lm. 1200mm x 1200mm body finished RAL9003
OUS-70-4K-WH	Ouse, 70w, 4K, 6,832lm. 1200mm x 1200mm body finished RAL9003
OUS-103-4K-WH	Ouse, 103w, 4K, 9,265lm. 1200mm x 1200mm body finished RAL9003

** Suffix end of code **(M3)** for emergency facility or **(DA)** for DALI/Switch DIM or **(BTC)** for Casambi Wireless Control

**Example: OUS-52-4K-WH-DA

Ouse 52w, 5,124lm, 4K, white c/w DALI

A decorative modern circular pendant mounted LED with options of body sizes.

- Corridors
- Offices
- Communal Areas
- Education
- Public Places



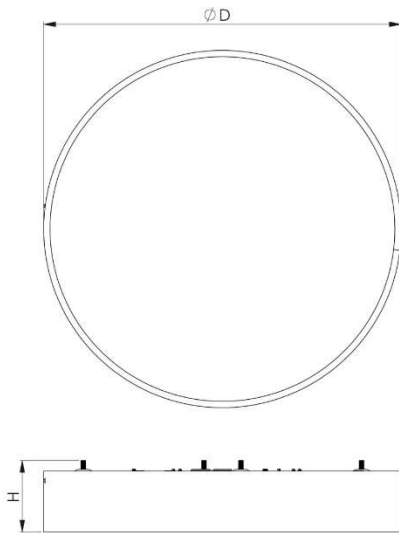
Features

- Rolled steel body
- PMMA UV stabilized acrylic
- Epoxy powder coated RAL9003 (Other colour options available on request)
- IP40

Options

- Integrated 3hr emergency -Standard (**M3**) – Self-Testing Emergency (**STE**)
- DALI Monitored Emergency (**DA3**)
- DALI (**DA**)
- Microwave Sensor (**MW1**)
- Casambi Wireless Control (**BTC**)
- Micro-Prism UGR<19 diffuser (**MPO**)
- Suspension kit (**SUS/2M**)

Dimensions



D – 300 / 450 / 600 / 900mm x H - 77mm

Product Code

RIS-20-4K-WH	Ribble, 20w, 4K, 2851lm. 300mm body finished RAL9003
RIS-25-4K-WH	Ribble, 25w, 4K, 4011lm, 450mm body finished RAL9003
RIS-36-4K-WH	Ribble, 36w, 4K, 5595lm, 450mm body finished RAL9003
RIS-38-4K-WH	Ribble, 38w, 4K, 6157lm, 600mm body finished RAL9003
RIS-52-4K-WH	Ribble, 52w, 4K, 8604lm, 600mm body, finished RAL9003
RIS-60-4K-WH	Ribble, 60w, 4K, 9821lm, 900mm body, finished RAL9003
RIS-68-4K-WH	Ribble, 68w, 4K, 11480lm, 900mm body, finished RAL9003

** Suffix end of code (**M3**) for emergency facility or (**DA**) for DALI/Switch DIM or (**BTC**) for Casambi Wireless Control or (**MW1**) Microwave sensor

**Example: RIS-60-4K-WH-MW1

Ribble 60w, 9821lm, 4K, white c/w microwave sensor

Skyler Pro

High performance highbay available in two sizes with selectable outputs to suit different applications and installation heights, with an optional plug and play PIR

- Factory
- Aircraft Hanger
- Warehouses



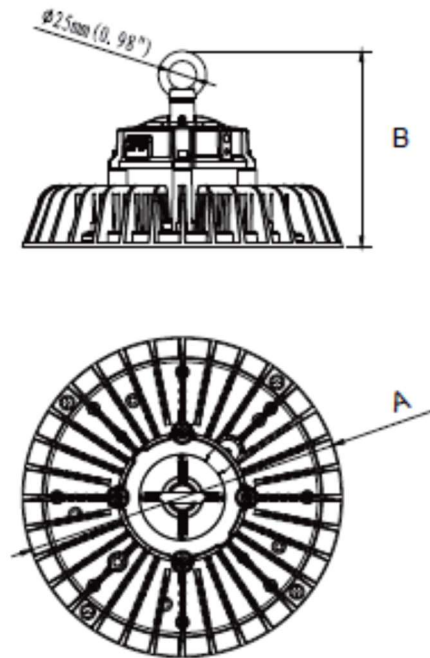
Features

- Die-Cast aluminium body
- Polycarbonate diffuser
- Epoxy powder coated RAL9005
- IP65
- IK08

Options

- 3hr Emergency Facility (**M3**)
- Custom RAL paint finish (**RAL**)
- PIR (**PIRD**)
- Hand Held Programmer (**PIR-PRM**)

Dimensions



Dimensions: 65-90-110w - 'A' 240mm x 'B' 161mm

90-120-150w - 'A' 280mm x 'B' 171mm

Product Code

SK-65-4K-BK	Skyler – 65w, 11,700lm, 4K, finished RAL9005
SK-90-4K-BK	Skyler – 90w, 16,200lm, 4K, finished RAL9905
SK-110-4K-BK	Skyler – 110w, 19,800lm, 4K, finished RAL9005
SK-120-4K-BK	Skyler – 120w, 21,600lm, 4K, finished RAL9005
SK-150-4K-BK	Skyler – 150w, 27,000lm, 4K, finished RAL9005

** Suffix end of code with option required**

** Example – SK-110-4K-BK-PIR-PIRD Skyler 110w c/w plug in PIR sensor module

A decorative modern circular polo pendant mounted LED with options of body sizes.

- Corridors
- Offices
- Communal Areas
- Education
- Public Places



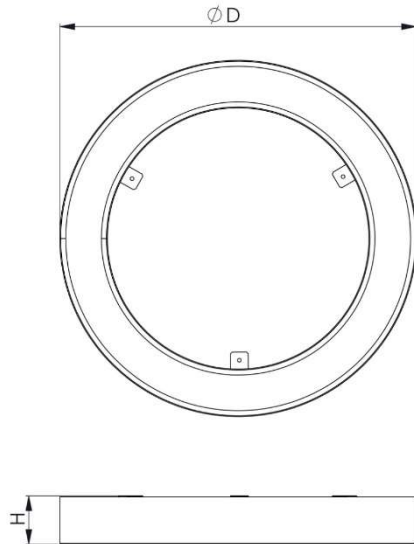
Features

- Rolled steel body
- PMMA UV stabilized acrylic
- Epoxy powder coated RAL9003 (Other colour options available on request)
- IP40

Options

- Integrated 3hr emergency -Standard (**M3**) – Self-Testing Emergency (**STE**)
- DALI Monitored Emergency (**DA3**)
- DALI (**DA**)
- Casambi Wireless Control (**BTC**)
- Micro-Prism UGR<19 diffuser (**MPO**)
- Suspension kit (**SUS/2M**)

Dimensions



D – 600 / 900 / 1200 / 160mm x H - 80mm

Product Code

TRS-17-4K-WH	Trinity, 17w, 4K, 2,014lm. 600mm, body finished RAL9003
TRS-24-4K-WH	Trinity, 24w, 4K, 2,744lm. 600mm, body finished RAL9003
TRS-35-4K-WH	Trinity, 35w, 4K, 3,772lm. 600mm, body finished RAL9003
TRS-27-4K-WH	Trinity, 27w, 4K, 3,295lm. 900mm, body finished RAL9003
TRS-38-4K-WH	Trinity, 38w, 4K, 4,491lm. 900mm, body finished RAL9003
TRS-55-4K-WH	Trinity, 55w, 4K, 6,172lm. 900mm, body finished RAL9003
TRS-35-4K-WH	Trinity, 35w, 4K, 4,394lm. 1200mm, body finished RAL9003
TRS-50-4K-WH	Trinity, 50w, 4K, 5,987lm. 1200mm, body finished RAL9003
TRS-73-4K-WH	Trinity, 73w, 4K, 8,231lm. 1200mm, body finished RAL9003
TRS-49-4K-WH	Trinity, 49w, 4K, 6,225lm. 1600mm, body finished RAL9003
TRS-70-4K-WH	Trinity, 70w, 4K, 8,482lm. 1600mm, body finished RAL9003
TRS-103-4K-WH	Trinity, 103w, 4K, 11,660lm. 1600mm, body finished RAL9003

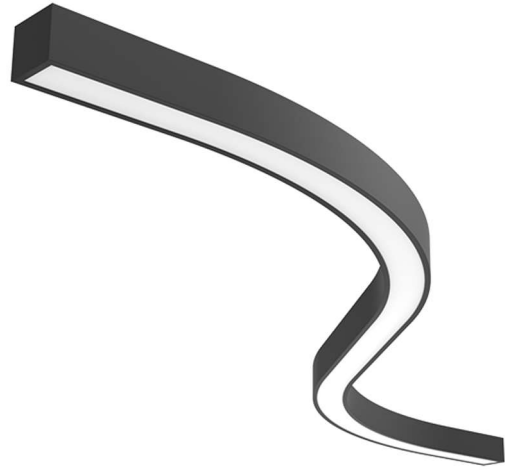
** Suffix end of code (**M3**) for emergency facility or (**DA**) for DALI/Switch DIM or (**BTC**) for Casambi Wireless Control or (**MW1**) Microwave sensor

**Example: TRS-38-4K-WH-BTC

Trinity 38w, 4,191lm, 4K, white c/w Casambi

Stylish suspended standalone direct LED available with various RAL colour & wattage options.

- Classrooms
- Offices
- Hospitals
- Meeting Rooms
- Atriums



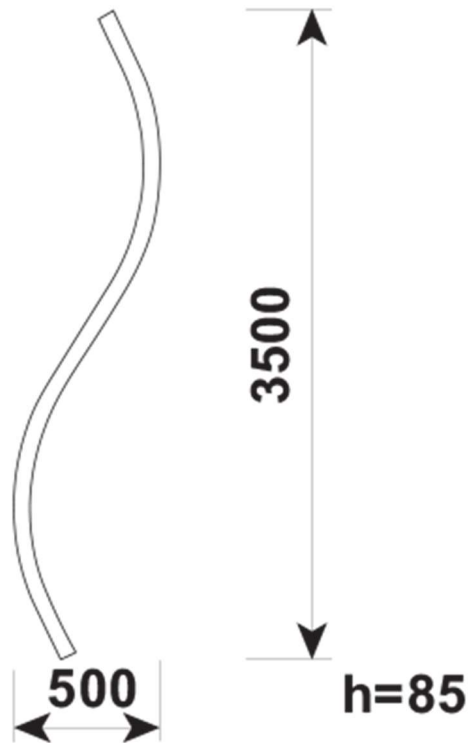
Features

- Extruded aluminium body epoxy powder coated all RAL options available
- Stand alone
- Direct
- Philips or Tridonic LED and driver system for optimum performance
- Premium white Ra90 LED module available
- CRI >80

Options

- Micro-prism optic – **(MP19)**
- Opal PMMA – **(OP)**
- Tuneable white – **(TW)**
- DALI – **(DA)**
- Casambi wireless Bluetooth control **(BTC)**
- CRI 90 – **(Ra9)**
- Standard 3hr emergency – **(M3)**
- DALI monitored emergency – **(D3)**

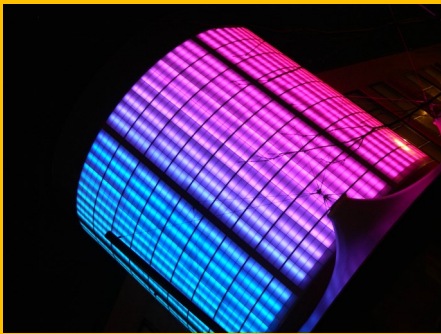
Dimensions



Product Code

Worm is a fully customisable product with direct light, opal lens as standard or option of micro-prism (MP19), with option of body colour all RAL available, various wattage options LO – Low output HO – High out, please consult our sales office with your requirements for a specific project quotation.

Commercial Lighting Solutions



- Meeting Rooms
- Point of Display
- Gallery
- Schools



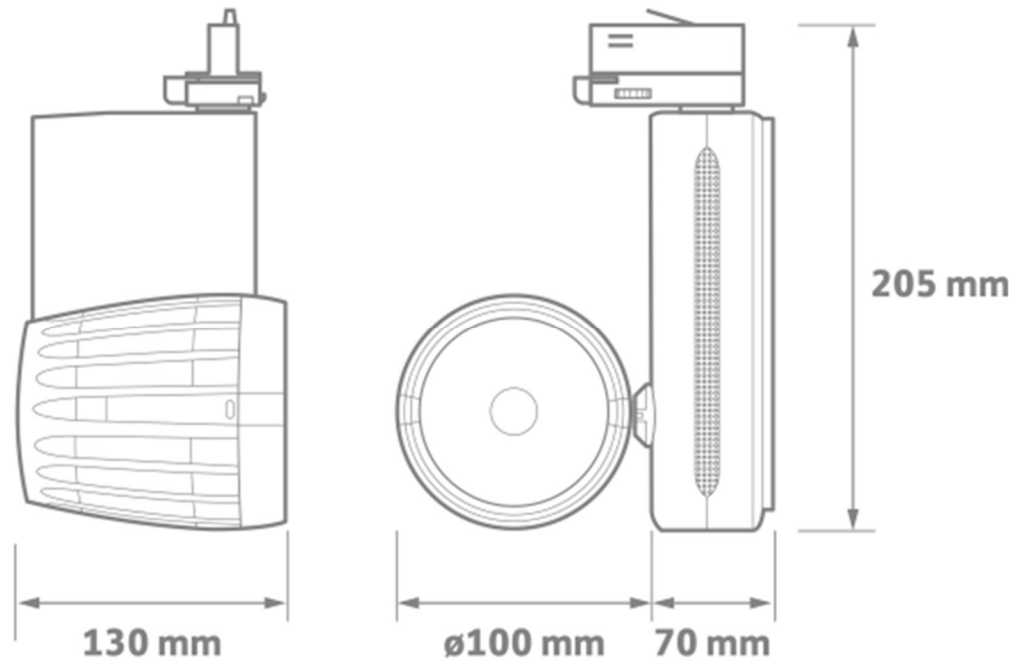
Features

- High performance, high output, LED track spotlight
- 40° multi-faceted reflector as standard
- Highly efficient passive heat sink
- RAL 9016 white with RAL9007 grey heat sink as standard
- Compatible with Global Trac, Stucchi and Eutrac systems
- DALI dimming option
- Life >55,000 hours (L80/F10)

Options

- Black body, grey heat sink **(BKGY)**
- SwitchDIM, DALI or DSI **(ECO)**
- 25° Narrow Beam **(NB)**
- 60° Wide Beam **(WB)**
- Barn Doors **(BD)**
- Snoot **(SN)**

Dimensions



Product Code

C130T-1100-4K-WH	CAPRI 130T, 11.5w, 1250lm, 4K, finished white/grey
C130T-1900-4K-WH	CAPRI 130T, 19.5w, 1925lm, 4K, finished white/grey
C130T-2600-4K-WH	CAPRI 130T, 27.0w, 2600lm, 4K, finished white/grey
C130T-3700-4K-WH	CAPRI 130T, 43.5w, 3725lm, 4K, finished white/grey

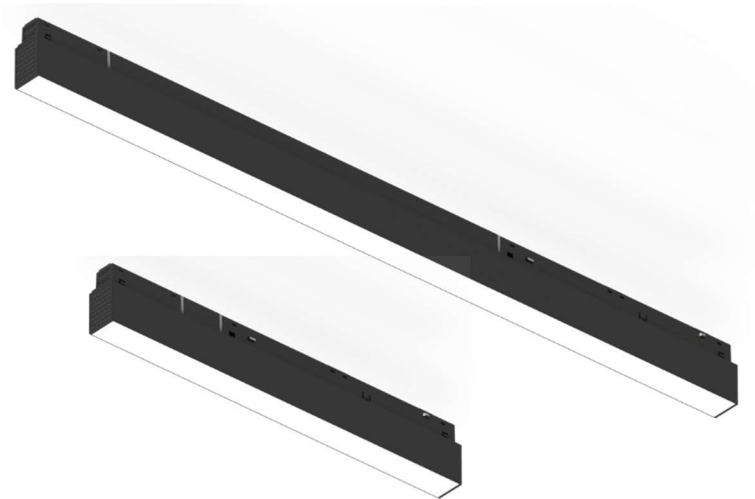
** Suffix 4K to 3K FOR 3000 Kelvin

Example: C130T-1100-4K-WH-ECO

Capri 130T, 1100lm, 4K, finished white/grey c/w DALI dimming

Corsica - Linear

- Meeting Rooms
- Point of Display
- Gallery
- Schools
- Break-out Area



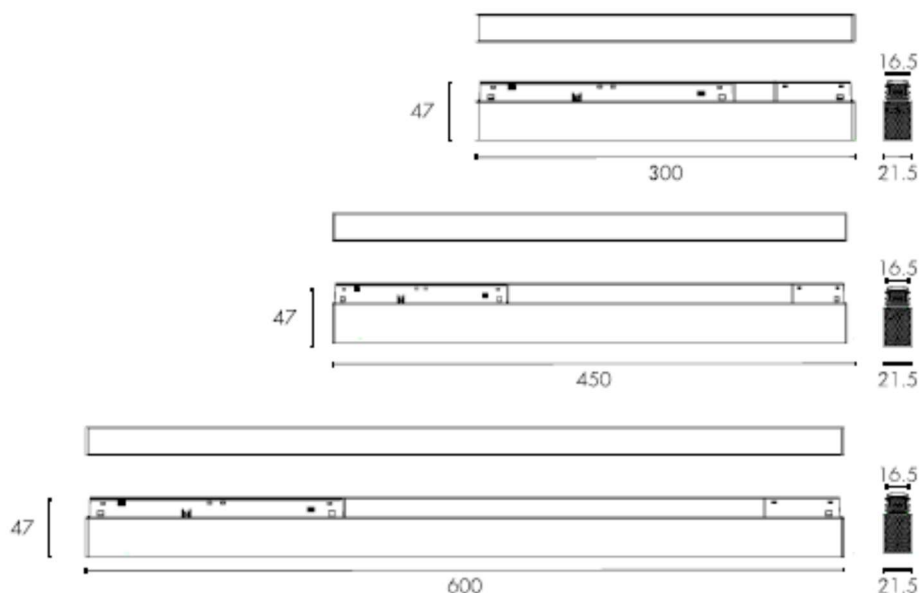
Features

- Contemporary designed 48v linear
- Opal diffuser
- 3000K and 4000K option
- Mechanical fixing with quick button for easy installation and repositioning
- Surface and recessed track option
- DALI dimming option
- IP20

Options

- DALI - (DA)
- Casambi wireless Bluetooth control - (BTC)
- 48v 100w PSU - (PSU100)
- 48v 200w PSU - (PSU200)

Dimensions



Product Code

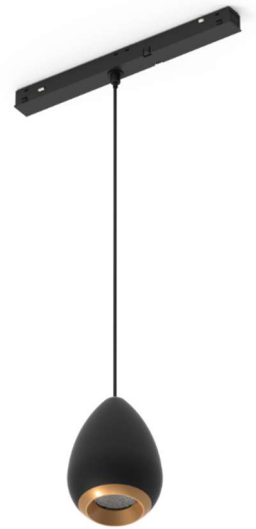
CORS-9-4K-LIN-BK	Corsica 9w, 4K, 48v, 728lm, 300mm, black with opal diffuser
CORS-12-4K-LIN-BK	Corsica 12w, 4K, 48v, 982lm 450mm, black with opal diffuser
CORS-18-4K-LIN-BK	Corsica 18w, 4K, 48v, 2160lm 600mm, black with opal diffuser

** Suffix 4K to 3K for 3000 Kelvin

For Casambi wireless Bluetooth control please consult our sales office who will advise on required components for your project.

Corsica - Pendant

- Meeting Rooms
- Point of Display
- Gallery
- Schools
- Break-out Area



Features

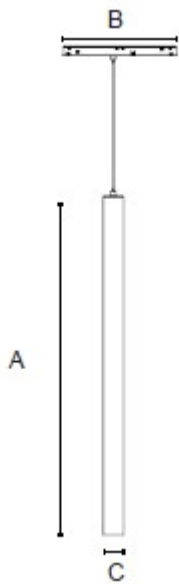
- Contemporary designed 48v pendants
- Adjustable length cables to set custom suspension height
- 3000K and 4000K option
- Mechanical fixing with quick button for easy installation and repositioning
- Surface and recessed track option
- DALI dimming option
- IP20

Options

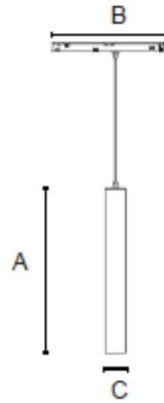
- DALI - **(DA)**
- Casambi wireless Bluetooth control – **(BTC)**
- 48v 100w PSU - **(PSU100)**
- 48v 200w PSU - **(PSU200)**

Corsica - Pendant

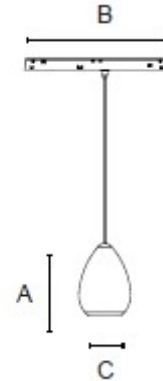
Dimensions



A – 600mm x B – 210mm x C – 36mm



A – 300mm x B – 210mm x C – 36mm



A – 102mm x B – 210mm x C – 100mm

Product Code

CORS-7-3K-P300-BK	Corsica 7w, 3K, 48v, 609lm LED pendant 300mm long, black
CORS-7-3K-P600-BK	Corsica 7w, 3K, 48v, 609lm LED pendant 600mm long, black
CORS-7-3K-T100-BKG	Corsica 7w, 3K, 48v, 609lm LED tulip pendant 102mm long, black

** Suffix 3K to 4K for 4000 Kelvin

For Casambi wireless Bluetooth control please consult our sales office who will advise on required components for you project.

Corsica - Spot

- Meeting Rooms
- Point of Display
- Gallery
- Schools
- Break-out Area



Features

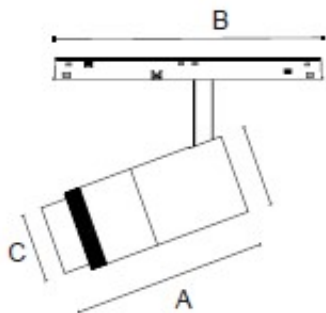
- Contemporary designed 48v Track Spots
- Adjustable head and zoomable beam angle
- 3000K and 4000K option
- Mechanical fixing with quick button for easy installation and repositioning
- Surface and recessed track option
- DALI dimming option
- IP20

Options

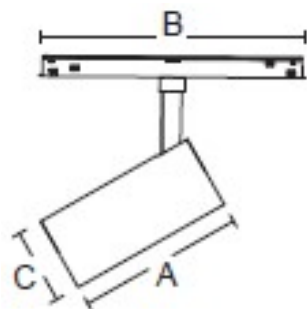
- DALI - (DA)
- Casambi wireless Bluetooth control – (BTC)
- 48v 100w PSU - (PSU100)
- 48v 200w PSU - (PSU200)

Corsica - Spot

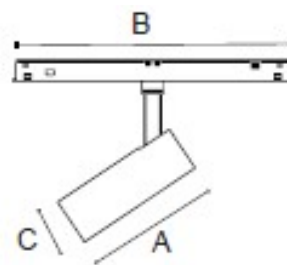
Dimensions



A – 132mm x B – 210mm x C – 60mm



A – 125mm x B – 210mm x C – 50mm



A – 100mm x B – 210mm x C – 36mm

Product Code

CORS-7-3K-SL-BK

Corsica 7w, 3K, 48v, 632lm LED spot, black

CORS-9-3K-SL-BK

Corsica 9w, 3K, 48v, 1080lm LED spot, black

CORS-15-3K-FSL-BK

Corsica 15w, 3K, 48v, 1800lm LED zoomable focus spot, black

** Suffix 3K to 4K for 4000 Kelvin

For Casambi wireless Bluetooth control please consult our sales office who will advise on required components for your project.

Corsica – 48v Track

- Meeting Rooms
- Point of Display
- Gallery
- Schools
- Break-out Area



Features

- Surface mounting
- Recessed mounting
- Finished RAL9005

Options

- Straight Joiners - (STJ)
- 90° internal and external elbows - (ILB) & (ELB)
- Track joining kit – (TJK)
- 48v 100w PSU - (PSU100)
- 48v 200w PSU - (PSU200)

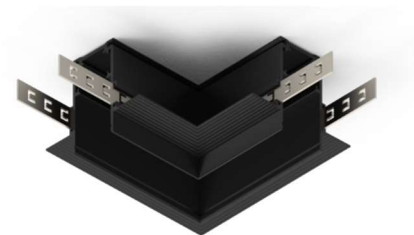
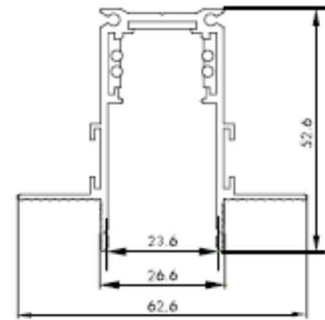
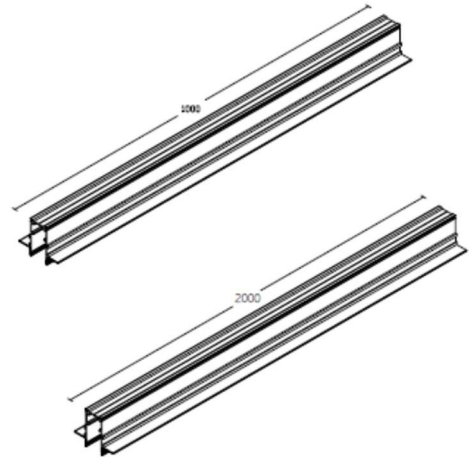
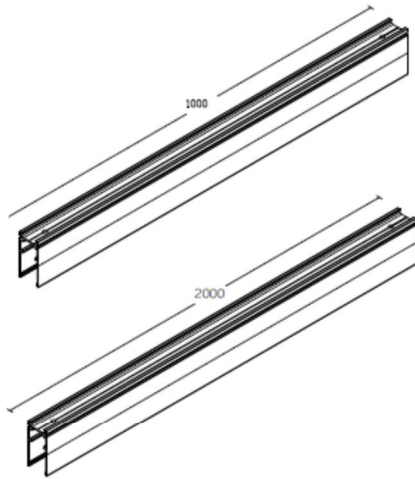
Product Code

- | | |
|--|--|
| • Recessed 1mtr track (CTR-48-1M-BK) | Recessed 2mtr track (CTR-48-2M-BK) |
| • Recessed 90° external elbow (CTR-ELB-BK) | Recessed 90° internal elbow (CTR-ILB-BK) |
| • Surface 1mtr track (CTS-48-1M-BK) | Surface 2mtr track (CTS-48-2M-BK) |
| • Surface 90° external elbow (CTS-ELB-BK) | Surface 90° internal elbow (CTS-ILB-BK) |

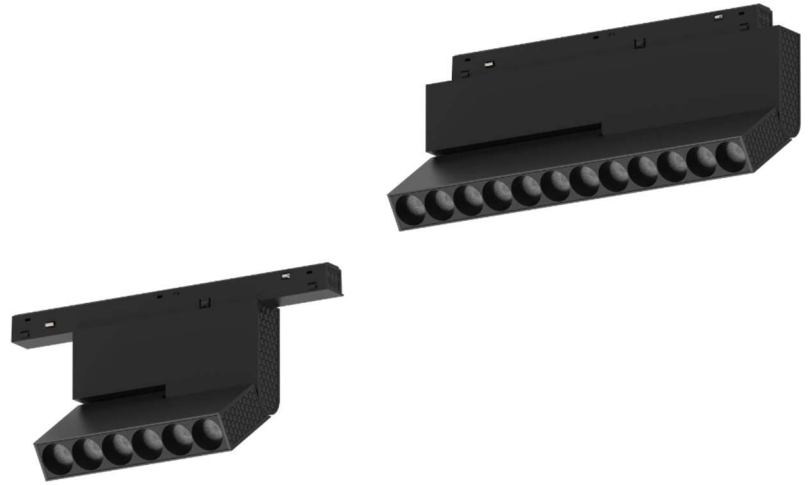
Corsica – 48v Track



Dimensions



- Meeting Rooms
- Point of Display
- Gallery
- Schools
- Break-out Area



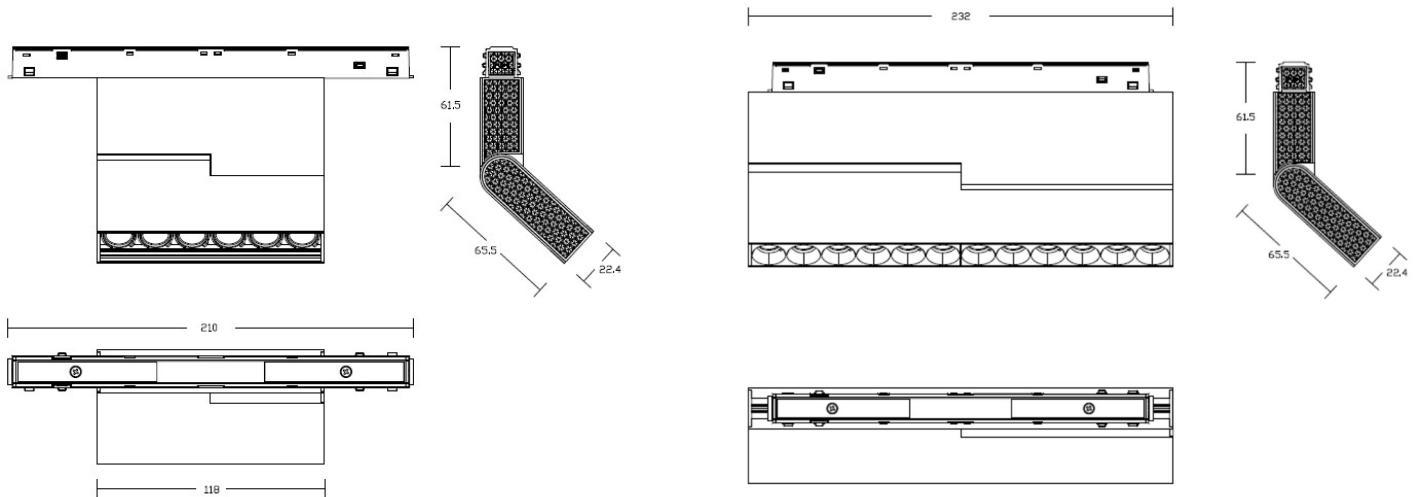
Features

- Contemporary designed 48v UGR Track Spots
- Adjustable head
- 3000K and 4000K option
- Mechanical fixing with quick button for easy installation and repositioning
- Surface and recessed track option
- DALI dimming option
- IP20

Options

- DALI - (DA)
- Casambi wireless Bluetooth control - (BTC)
- 48v 100w PSU - (PSU100)
- 48v 200w PSU - (PSU200)

Dimensions



Product Code

CORS-6-3K-UGR-BK

Corsica 6w, 3K, 48v, 720lm LED UGR spot, black

CORS-12-3K-UGR-BK

Corsica 12w, 3K, 48v, 1440lm LED UGR spot, black

** Suffix 3K to 4K for 4000 Kelvin

For Casambi wireless Bluetooth control please consult our sales office who will advise on required components for your project.

- Meeting Rooms
- Point of Display
- Gallery
- Schools



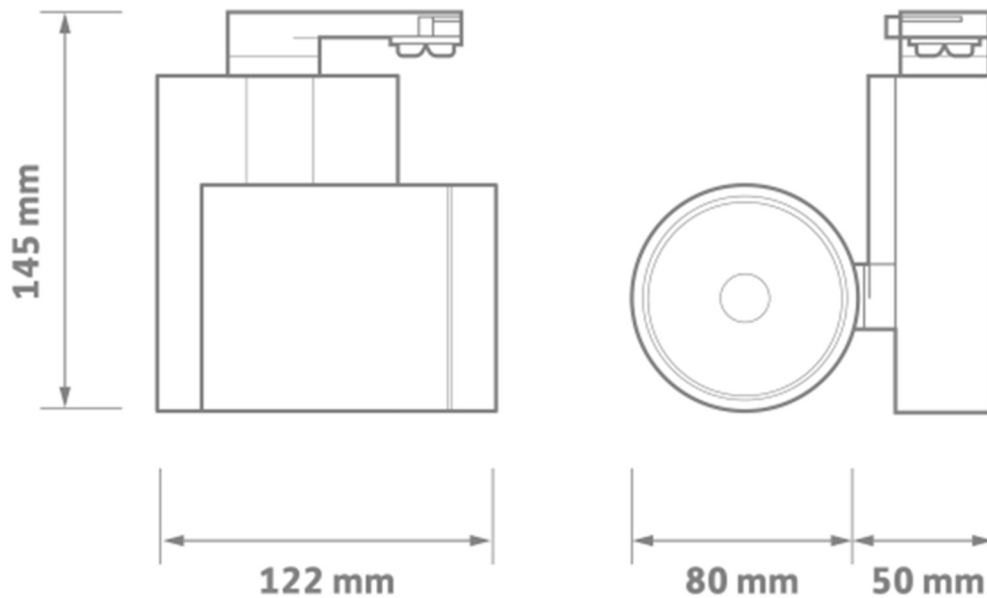
Features

- A contemporary spotlight with vertical gear housing
- Swivel and tilt adjustment for added flexibility
- High colour rendering option
- Medium beam reflector (25.6°) as standard, other beam options available
- Compatible with Global Trac, Stucchi and Eutrac
- DALI dimming option
- Life >55,000 hours (L80/F10)

Options

- Black body (BK)
- DALI (DA)
- 25° Narrow Beam (NB)
- 60° Wide Beam (WB)
- High colour rendering (/9)
- Excite 100K driver (TOP)

Dimensions



Product Code

KN-1100-4K-WH	KENNETT, 10w, 1175lm, 4K, finished white
KN-2000-4K-WH	KENNETT, 20w, 2075lm, 4K, finished white

** Suffix 4K to 3K FOR 3000 Kelvin

Example: KN-1100-4K-WH-DA

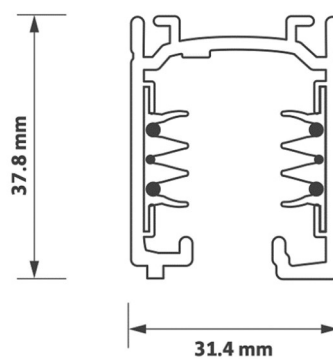
Kennett, 1100lm, 4K, finished white c/w DALI dimming



Features

- Surface mounted lighting track system
- Based on the Eurostandard Plus platform
- Suitable for use with Global Trac adaptors
- Three circuit and DALI compatible
- Available in black or white

Dimensions



Product Code

Description	Model Ref: White	Model Ref: Black
1 metre 3 circuit track	9000A-1/W-ST	9000A-1/B-ST
2 metre 3 circuit track	9000A-2/W-ST	9000A-1/B-ST
End Feed	90001-W	90001-B
Straight Connector	9003-W	9003-B
End cap	9004-W	9004-B
L Connector/Feed	9011-W	9011-B
Flexible adjustable connector	9018-W	9018-B
2mtr wire-suspension kit	S-9000/114-T/W	S-900/114-T/B
Pattress	9000/BP-D-W	9000/BP-D-B



T: 01323 729337 Or 01323 430047

E: sales@aldlightingsolution.co.uk - W: aldlightingsolutions.co.uk

A: Unit 7 Crown Close Ind Est, Diplocks Way, Hailsham, East Sussex, BN26 3JX