

Surface/Wall mounted die-cast aluminium base non-corrosive c/w opal polycarbonate diffuser & stainless-steel security fixings

- Car Park
- Boiler Room
- Bike Shed
- Industrial
- Workshop
- Laundry



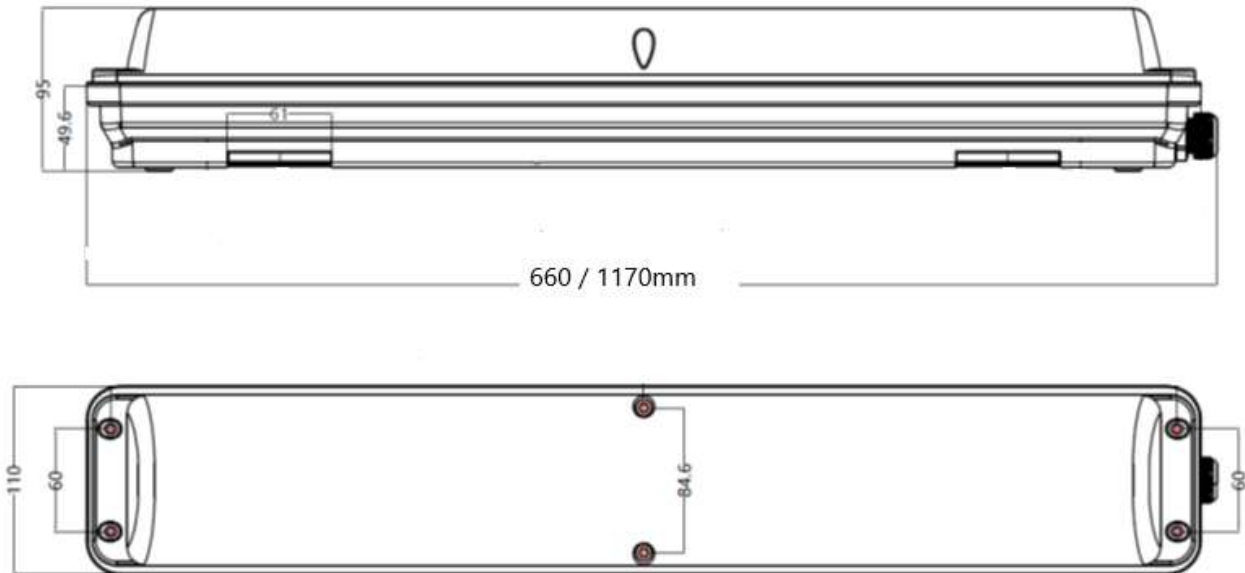
## Features

- Die-cast aluminium base powder coat RAL9006
- Opal UV stabilised polycarbonate diffuser
- Stainless Steel security fixing
- IK10 – BSEN 2262
- IP65

## Options

- Integrated 3hr emergency -Standard (**M3**) - Self Testing Emergency (**STE**)
- DALI Monitor Emergency (**D3**)
- DALI (**DA**)
- Batten mounted PIR Sensor (**BPIR**)
- Mirco-wave Sensor (**MW1**)
- Casambi wireless control (**BTC**)

## Dimensions



## Product Code

GLD-25-4K-65-OP-2F	Gladiator, 25w, 2,851lm, 660mm die-cast body, opal diffuser
GLD-35-4K-65-OP-2F	Gladiator, 35w, 3,927lm, 660mm die-cast body, opal diffuser
GLD-35-4K-65-OP-4F	Gladiator, 35w, 4,221lm, 1170mm die-cast body, opal diffuser
GLD-50-4K-65-OP-4F	Gladiator, 50w, 6,263lm, 1170mm die-cast body, opal diffuser
GLD-65-4K-65-OP-4F	Gladiator, 65w, 7,805lm, 1170mm die-cast body, opal diffuser

\*\* Suffix end of code **(M3)** for emergency facility or **(BPIR)** PIR Sensor or **(BTC)** for Casambi Wireless Control

\*\*Example: GLD-25-4K-65-OP-2F-BTC      Gladiator, 25w, 4K, 2,851lm, 660mm body c/w Casambi