

Circular ceiling/Wall mounted IK10 bulkhead Lumaax opal diffuser & die-cast aluminium base  
powder coated black RAL9005

- Corridors
- Stairwells
- Toilets
- Building Perimeter
- Walls



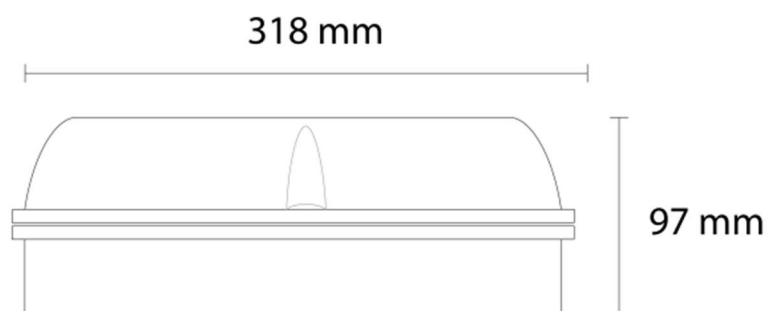
## Features

- Die-cast base
- Opal UV stabilised LUMAAX diffuser
- 850° Glow wire
- IK10
- IP65
- Branded LED board and driver

## Options

- Integrated 3hr emergency -Standard (M3) – Self Testing (STE)
- Microwave Sensor (MW1)
- Casambi Wireless Control (BTC)
- Hooded cover (H)
- White Base (WH)

## Dimensions



## Product Code

EQU-11-4K-BK-OP	Equinox, 11w, 1,225lm, 4K, black base, opal LUMAAX diffuser
EQU-13-4K-BK-OP	Equinox, 13w, 1,325lm, 4K, black base, opal LUMAAX diffuser
EQU-15-4K-BK-OP	Equinox, 15w, 1,675lm, 4K, black base, opal LUMAAX diffuser

\*\* Suffix end of code **(M3)** for emergency facility or **(MW1)** for Microwave sensor

Example: EQU-15-4K-BK-OP-MW1

Equinox 15w bulkhead c/w 3K LED's black base, opal diffuser & micro-wave sensor