

Lina 60 DLO

Ultra low-glare high performance surface/suspended linear LED, UGR <14 130lm/tcw, option of body colours & lens.

- Offices
- Board rooms
- Showrooms
- Retail



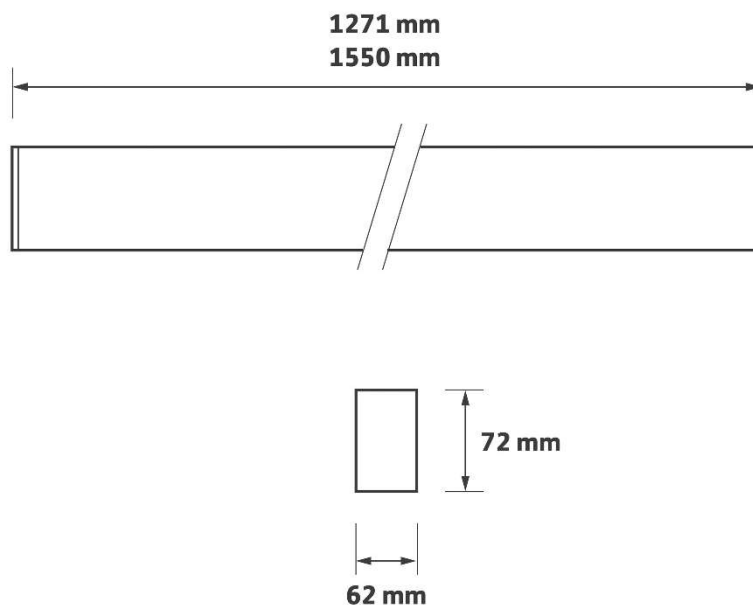
Features

- Premium matt black dark-light baffle as standard
- Features 50° office LED as standard
- Tridonic LED and driver system inside
- RAL9003 white as standard with black and grey options
- Available in 1.2m and 1.5m lengths

Options

- Integrated 3hr emergency -Standard **(M3)** - Self Testing Emergency **(STE)**
- DALI Monitor Emergency **(D3)**
- DALI **(DA)**
- Wide Beam 80° **(WB)**
- White soft light baffle **(WSB)**
- Casambi wireless control **(BTC)**
- Suspension Kit **(SUS-2-2M)**
- Grey body – **(GR)**
- Black body – **(BK)**

Dimensions



Product Code

LDL-14-4K-DL-GR-1.2-LO	Lina 60 DLO, 14w, 1,925lm, 1271mm grey body, low output
LDL-20-4K-DL-GR-1.2	Lina 60 DLO, 20w, 2,850lm, 1271mm grey body standard output
LDL-27-4K-DL-GR-1.2-HO	Lina 60 DLO, 27w, 3,750lm, 1271mm grey body High output
LDL-17-4K-DL-GR-1.5-LO	Lina 60 DLO, 17w, 2,400lm, 1559mm grey body, low output
LDL-25-4K-DL-GR-1.5	Lina 60 DLO, 25w, 3,575lm, 1559mm grey body, standard output
LDL-33-4K-DL-GR-1.5-HO	Lina 60 DLO, 33w, 4,675lm, 1559mm grey body, high output

** Suffix end of code **(M3)** for emergency facility or **(BTC)** for Casambi Wireless Control**

Example: LDL-20-4K-DL-GR-1.2-BTC Lina 60 DLO, 20w, 4K, 1271mm body, c/w Casambi