

Low profile IP54 LED downlighter, CCT switchable, satin diffuser, finished white RAL9003

- Corridors
- Offices
- Receptions
- Break-Out



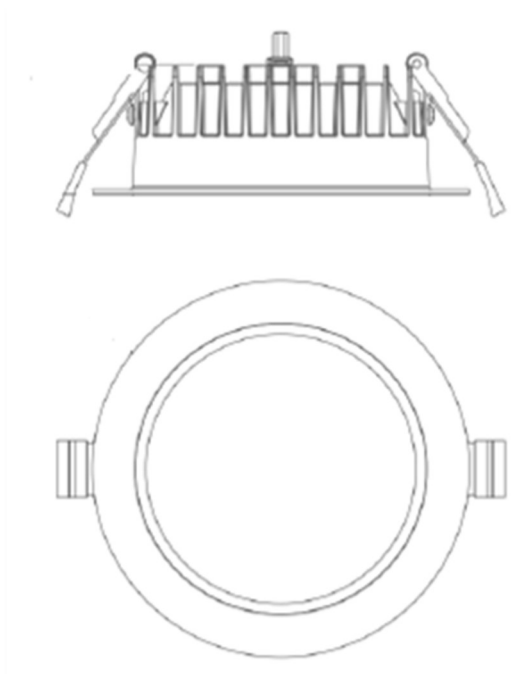
Features

- SMD 2835 LED board, 50,000hrs (L70)
- Switchable CCT (3K, 4K, 5K)
- CRI >80
- IP54

Options

- DALI dimming – **(DA)**
- Casambi Wireless Control **(BTC)**
- 3hr Emergency – **(M3)**
- 3hr Self-Testing emergency – **(STE)**
- DALI Monitored emergency – **(D3)**

Dimensions



Bezel Diameter & Cut-Out

BXS 12 - 140mm D x 125mm Cut-Out

BXS 18 - 190mm D x 166mm Cut-Out

BXS 25 - 225mm D x 205mm Cut-Out

Product Code

BXS-12-CCT-WH	Bexley, 12w, 1,561lm, 140mm dia, CCT switchable, white bezel
BXS-18-CCT-WH	Bexley, 18w, 2,354lm, 190mm dia, CCT switchable, white bezel
BXS-25-CCT-WH	Bexley, 25w, 3,416lm, 225mm dia, CCT switchable, white bezel

Suffix end of code with required option