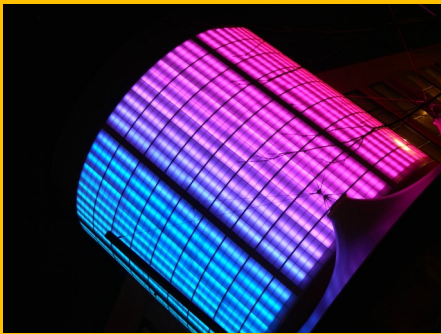


Commercial Lighting Solutions



- Gymnasium
- Industrial
- Distribution Centre
- Sports Hall



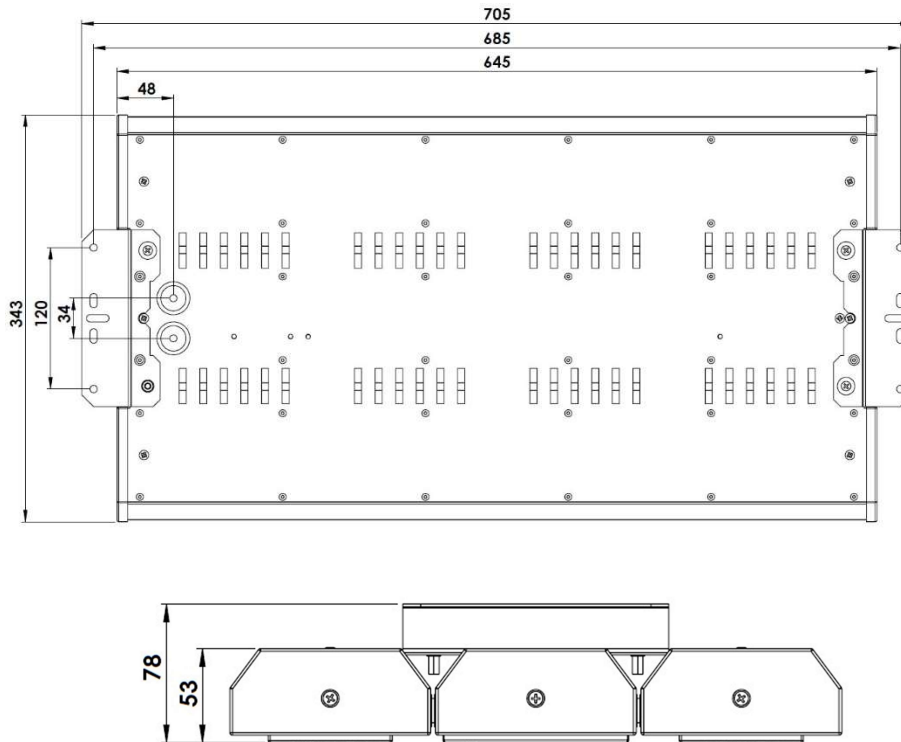
Features

- Aluminium extruded body
- Asymmetric and Symmetric options
- Wire guard option
- Epoxy powder coated RAL9010
- IP20
- IK10

Options

- DALI (DA)
- 3hr emergency (M3) - Self-Test emergency (STE) – DALI monitored emergency (D3)
- Casambi Wireless Control (BTC)
- Wire guard (WGW)
- Suspension Kit (SUS-2M)
- PIR Sensor (PIRD)

Dimensions



Product Code

| | |
|-------------------|---|
| ARD-70-4K-WH-L60 | Ardent, 70w, 12,350lm, 4K c/w 60 degree optic |
| ARD-80-4K-WH-L60 | Ardent, 80w, 12,891lm, 4K c/w 60 degree optic |
| ARD-90-4K-WH-L60 | Ardent, 90w, 15,367lm, 4K c/w 60 degree optic |
| ARD-115-4K-WH-L60 | Ardent, 115w, 18,863lm, 4K c/w 60 degree optic |
| ARD-135-4K-WH-L60 | Ardent, 135w, 22,357lm, 4K c/w 60 degree optic |
| ARD-160-4K-WH-L60 | Ardent, 160w, 25,649lm, 4K, c/w 60 degree optic |
| ARD-170-4K-WH-L60 | Ardent, 170w, 28,148lm, 4K, c/w 60 degree optic |

*Suffix end of code L** to optic option*

(L40) 40° x 40° optic

(L30x65) 30° x 65° optic

(L75) 75° x 75° optic

(L90) 90° x 90° optic

Surface/Wall mounted non-corrosive c/w opal polycarbonate diffuser & stainless steel clips

- Car Park
- Boiler Room
- Bike Shed
- Industrial
- Workshop
- Laundry



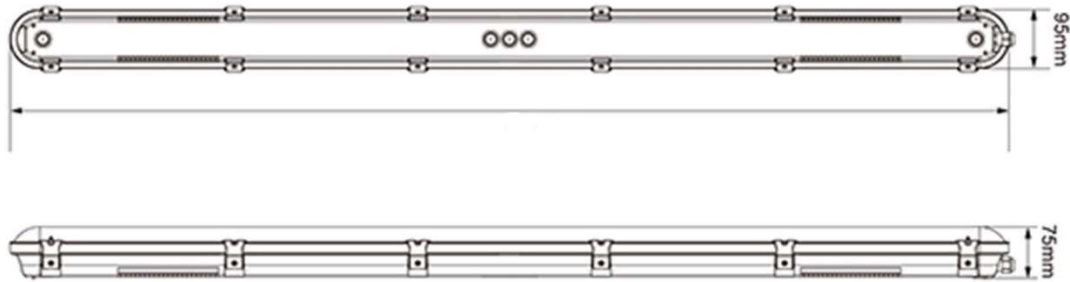
Features

- UPVC moulded housing
- Opal UV stabilised polycarbonate diffuser
- Stainless Steel clip
- IK08
- IP65

Options

- Integrated 3hr emergency -Standard (**M3**)
- Batten mounted PIR Sensor (**BPIR**)

Dimensions



Product Code

| | |
|--------------|--|
| ARN-19-4K-65 | Arrow, 19w, 2800lm, 1270mm body, opal diffuser |
| ARN-38-4K-65 | Arrow, 38w, 5000lm, 1270mm body, opal diffuser |
| ARN-30-4K-65 | Arrow, 30w, 4100lm, 1490mm body, opal diffuser |
| ARN-50-4K-65 | Arrow, 50w, 6900lm, 1490mm body, opal diffuser |

** Suffix end of code (**M3**) for emergency facility or (**BPIR**) PIR Sensor or (**BTC**) for Casambi Wireless Control

**Example: ARN-38-4K-65-BPIR Arrow 38w c/w Batten mounted PIR Sensor

Seamless DOT free flexible silicone extrusion IP68

- Building facades
- External furniture
- Planters
- Handrails
- Coffered details



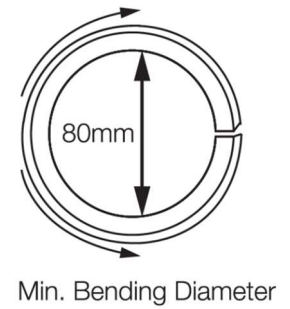
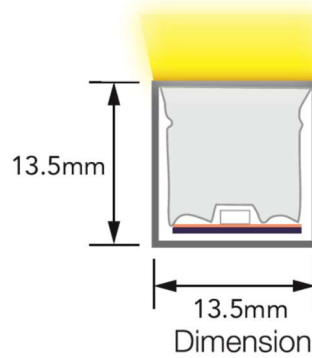
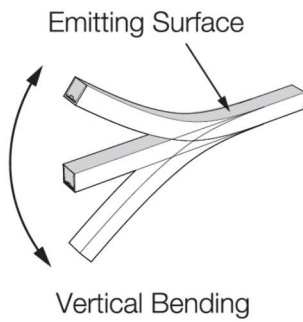
Features

- DC 24v
- 10w, 500lm per mtr
- CRI Ra >80
- IP68
- 5mtr to 30mtr reel options
- CCT, RGB & RGB-W options
- Cut points every 83.3mm

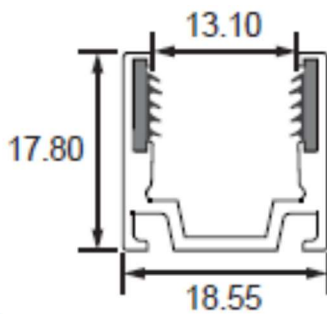
Options

- DALI - (DA)
- 1-10v- (1-10)
- TRIAC – (MDIM)
- Casambi Wireless Control - (BTC)

Dimensions



Mounting detail



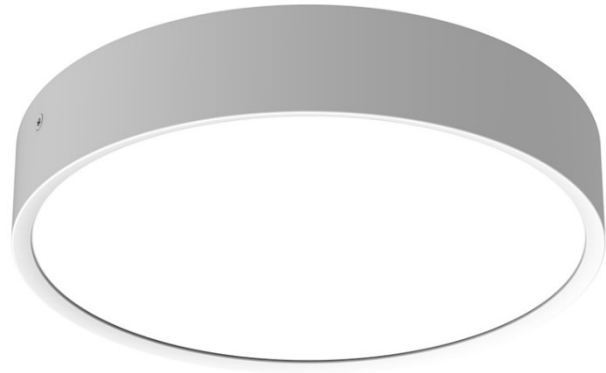
Aluminium mounting channel available in 1mtr & 2mtr length anodised finish

Aura-flex is made to order product, is fully customisable with lot of options please speak to our sales office with your requirements and a specific project quotation will be raised

Stylish smooth contour injection moulded bulkhead anti-tamper bezel with an opal polycarbonate diffuser.

Applications

- Corridors
- Stairwells
- Break-Out
- Receptions
- Lobbies
- Classrooms



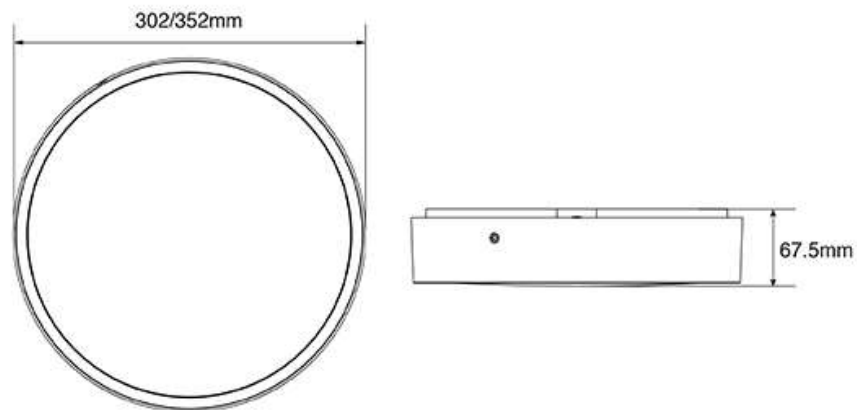
Features

- UPVC Moulded housing
- Opal UV stabilised polycarbonate diffuser
- Anti-tamper twist lock bezel
- CCT Switchable
- IK10
- IP65

Options

- White (**WH**) Or Black (**BK**)
- Integrated 3hr emergency -Standard (**M3**) – Self Testing (**STE**)
- Microwave Sensor (**MW1**)

Dimensions



Product Code

CHT-15-CCT-WH Chant 15w, 1500lm, 302mm body, white bezel

CHT-25-CCT-WH Chant 25w, 2500lm, 352mm body, white bezel

** Suffix WH to BK for black bezel

** Suffix end of code (M3) for emergency facility or (MW1) for Microwave sensor

Example: CHT-15-CCT-WH-M3-MW1

Chant c/w 3hr Emergency and Microwave sensor

Stylish low-profile surface or suspended stand-alone LED.

- Classrooms
- Offices
- Hospitals
- Meeting Rooms
- Atriums



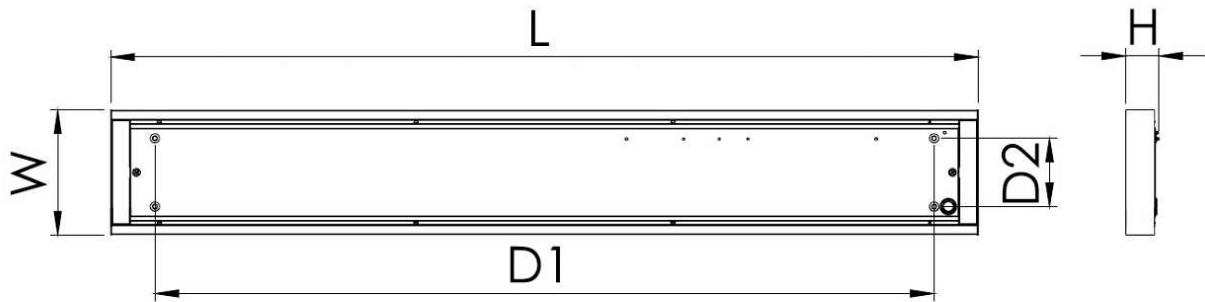
Features

- Steel fabricated body epoxy powder coated all RAL options available
- Stand-alone Direct Or Direct/Indirect
- Opal or Micro-Prism optic option
- Vossloh LED and driver system for optimum performance
- Premium white Ra90 LED module available

Options

- Micro-prism optic – **(MP19)**
- Opal PMMA – **(OP)**
- Tuneable white – **(TW)**
- DALI – **(DA)**
- Casambi wireless bluetooth control **(BTC)**
- CRI 90 – **(Ra9)**
- Standard 3hr emergency – **(M3)**
- DALI monitored emergency – **(D3)**
- Suspension Kit – **(SUS-2M)**

Dimensions



| L, mm | W, mm | H, mm | D1, mm | D2, mm | weight, kg |
|-------|-------|-------|--------|--------|------------|
| 1216 | 176 | 47 | 1092 | 96 | 4.10 |
| 1496 | 176 | | 1372 | | 5.10 |

Product Code

| | |
|-------------|--|
| FZ-26-4K-WH | Frazer, 26w, 3,997lm, 4K, 1215mm, finished RAL9003 |
| FZ-38-4K-WH | Frazer, 38w, 5,447lm, 4K, 1215mm, finished RAL9003 |
| FZ-34-4K-WH | Frazer, 34w, 5,114lm, 4K, 1496mm, finished RAL9003 |
| FZ-48-4K-WH | Frazer, 48w, 6,968lm, 4K, 1496mm, finished RAL9003 |

** Suffix 4K to 3K for 3000 Kelvin

** Example: FZ-38-4K-WH-DA-BTC-SUS-2M

Frazer 38w c/w 4K LED's, white body, DALI and Casambi wireless control with 2mtr suspension kit

Stylish low profile spun aluminium bulkhead c/w opal polycarbonate diffuser.

Applications

- Corridors
- Stairwells
- Break-Out
- Receptions
- Lobbies
- Classrooms



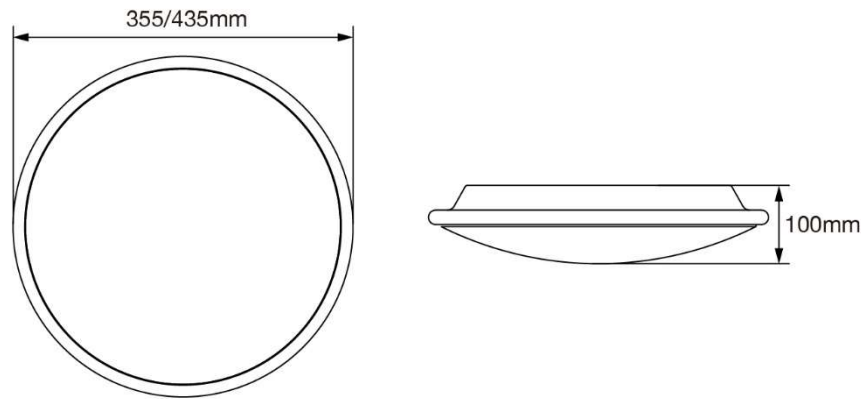
Features

- Aluminium spun housing
- Opal UV stabilised polycarbonate diffuser
- Epoxy power coated RAL9016 as standard
- 2 CCT Switchable
- Tridonic Driver
- IP20

Options

- Integrated 3hr emergency -Standard **(M3)** – Self Testing **(STE)**
- Microwave Sensor **(MW1)**
- Casambi Wireless Control **(BTC)**
- Custom body finishes available on request **(RAL)**

Dimensions



Product Code

LA-20-CCT-WH Lancing 20w, 1680lm, 355mm body finished white.

LA-27-CCT-WH Lancing 27w, 2750lm, 435mm body finished white.

** Suffix WH to RAL for Custom body finish

** Suffix end of code (M3) for emergency facility or (MW1) for Microwave sensor

Example: LA-20-CCT-WH-M3-MW1

Lancing c/w 3hr Emergency and Microwave sensor

Surface mounted decorative luminaire with steel spun bezel, Lumaxx diffuser

- Corridors
- Dormitory
- Communal Areas
- Toilets



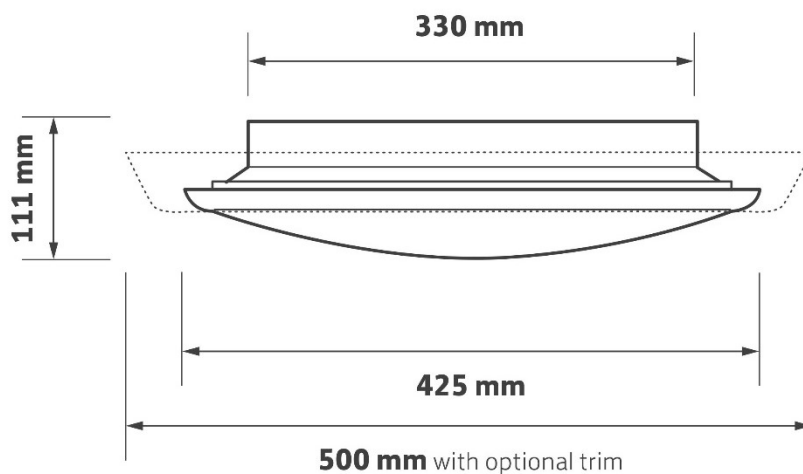
Features

- Polycarbonate body
- Lumaxx diffuser 850° glow wire tested
- Steel Spun Bezel
- Epoxy powder coated RAL9016 (Other colour options available on request)
- IP40

Options

- Integrated 3hr emergency -Standard (**M3**) – Self-Testing Emergency (**STE**)
- DALI Monitored Emergency (**DA3**)
- DALI (**DA**)
- Microwave Sensor (**MW1**)
- Casambi Wireless Control (**BTC**)

Dimensions



Product Code

| | |
|--------------|--|
| LEA-13-4K-WH | Leah, 13w, 4K, 1375lm. 500mm body finished RAL9016 |
| LEA-16-4K-WH | Leah, 16w, 4K, 2025lm, 500mm body finished RAL9016 |
| LEA-20-4K-WH | Leah, 20w, 4K, 2750lm, 500mm body finished RAL9016 |

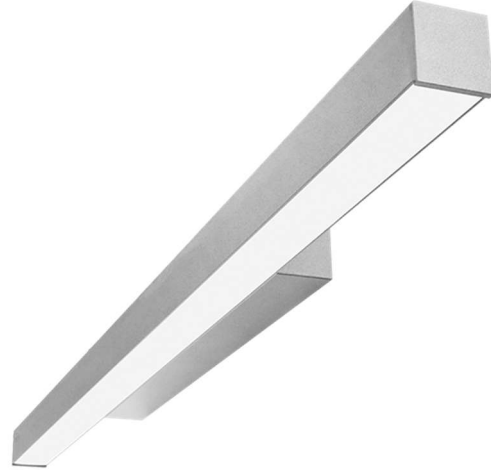
** Suffix end of code **(M3)** for emergency facility or **(DA)** for DALI/Switch DIM or **(BTC)** for Casambi Wireless Control or **(MW1)** Microwave sensor

**Example: LEA-13-4K-WH-MW1 Leah 13w, 1969lm, 4K, white c/w microwave sensor

Stylish wall mounted linear extruded module c/w opal polycarbonate diffuser .

Applications

- Corridors
- Stairwells
- Break-Out
- Receptions
- Lobbies
- Classrooms



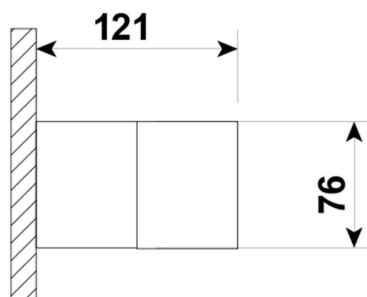
Features

- Extruded aluminium section.
- Opal UV stabilised polycarbonate diffuser
- Epoxy powder coated finish RAL 9010 as standard.
- Direct/Indirect illumination
- IK05
- IP40

Options

- White (**WH**), Black (**BK**), Grey (**GR**) other colours available on request
- Integrated 3hr emergency -Standard (**M3**) – Self Testing (**STE**)
- Integral PIR Sensor (**PIR**) only available on fittings over 1200mm
- Micro-Prism diffuser UGR<19 (**MPO**)
- Casambi Wireless control (**BTC**)

Dimensions



Product Code

| | |
|-------------------|---|
| LIN6W-20-4K-DI-WH | LINA 60 W, 20w, 2739lm, 587mm body, finished white RAL9003 |
| LIN6W-33-4K-DI-WH | LINA 60 W, 33w, 4565lm, 868mm body, finished white RAL9003 |
| LIN6W-46-4K-DI-WH | LINA 60 W, 46w, 6391lm, 1149mm body, finished white RAL9003 |

** Suffix WH to BK or GR for preferred colour

** Suffix end of code for emergency facility, PIR, Wireless control, Micro-prism diffuser

Example: LIN6W-33-DI-GR-MPO

Lina 60 W finished grey c/w micro-prism diffuser

A decorative modern circular ceiling / Wall mounted LED with options of body sizes.

- Corridors
- Offices
- Communal Areas
- Education
- Public Places



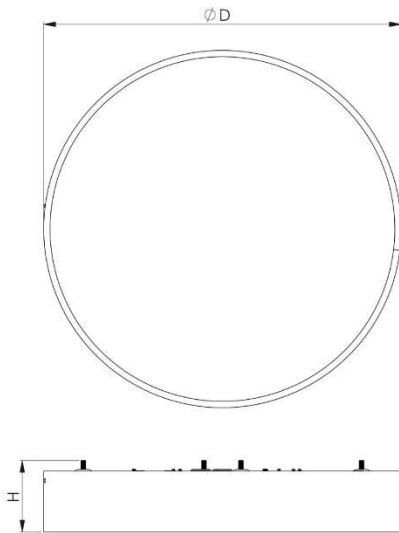
Features

- Rolled steel body
- PMMA UV stabilized acrylic
- Epoxy powder coated RAL9003 (Other colour options available on request)
- IP40

Options

- Integrated 3hr emergency -Standard (**M3**) – Self-Testing Emergency (**STE**)
- DALI Monitored Emergency (**DA3**)
- DALI (**DA**)
- Microwave Sensor (**MW1**)
- Casambi Wireless Control (**BTC**)
- Micro-Prism UGR<19 diffuser (**MPO**)
- Suspension kit (**SUS/2M**)

Dimensions



D – 300 / 450 / 600 / 900mm x H - 77mm

Product Code

| | |
|--------------|--|
| RIS-20-4K-WH | Ribble, 20w, 4K, 2851lm. 300mm body finished RAL9003 |
| RIS-25-4K-WH | Ribble, 25w, 4K, 4011lm, 450mm body finished RAL9003 |
| RIS-36-4K-WH | Ribble, 36w, 4K, 5595lm, 450mm body finished RAL9003 |
| RIS-38-4K-WH | Ribble, 38w, 4K, 6157lm, 600mm body finished RAL9003 |
| RIS-52-4K-WH | Ribble, 52w, 4K, 8604lm, 600mm body, finished RAL9003 |
| RIS-60-4K-WH | Ribble, 60w, 4K, 9821lm, 900mm body, finished RAL9003 |
| RIS-68-4K-WH | Ribble, 68w, 4K, 11480lm, 900mm body, finished RAL9003 |

** Suffix end of code (**M3**) for emergency facility or (**DA**) for DALI/Switch DIM or (**BTC**) for Casambi Wireless Control or (**MW1**) Microwave sensor

**Example: RIS-60-4K-WH-MW1

Ribble 60w, 9821lm, 4K, white c/w microwave sensor

Surface mounted Anti-Ligature luminaire IP65, IK10

- Hospitals
- Mental Health Units
- Detention Centre



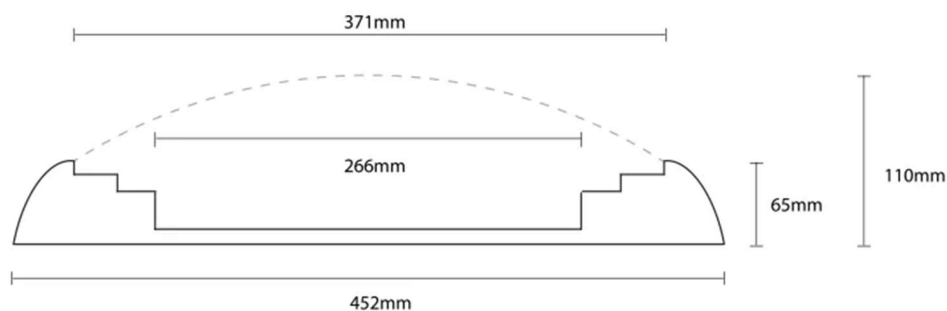
Features

- 1.2mm Aluminium Base
- Die-Cast Aluminium bezel
- Epoxy powder coated RAL9016
- IP65
- IK10
- Lumaxx Satin Diffuser 850° Glow wire test

Options

- Integrated 3hr emergency -Standard (**M3**) – Self-Testing Emergency (**STE**)
- DALI Monitored Emergency (**DA3**)
- DALI (**DA**)
- Microwave Sensor (**MW1**)
- Casambi Wireless Control (**BTC**)

Dimensions



Product Code

| | |
|-------------|---|
| SA-9-4K-WH | Salus, 9w, 4K, 1390lm, 452mm body finished RAL9016 |
| SA-13-4K-WH | Salus, 13w, 4K, 1969lm, 452mm body finished RAL9016 |
| SA-19-4K-WH | Salus, 19w, 4K, 2733lm, 452mm body finished RAL9016 |
| SA-25-4K-WH | Salus, 25w, 4K, 3510lm, 452mm body finished RAL9016 |

** Suffix end of code **(M3)** for emergency facility or **(DA)** for DALI/Switch DIM or **(BTC)** for Casambi Wireless Control or **(MW1)** Microwave sensor

**Example: SA-13-4K-WH-MW1 Salus 13w, 1969lm, 4K, white c/w microwave sensor

Seamless DOT free LED array tape with high CRI

- Under Cupboards
- Plinths
- Desks
- Handrails
- Coffe details



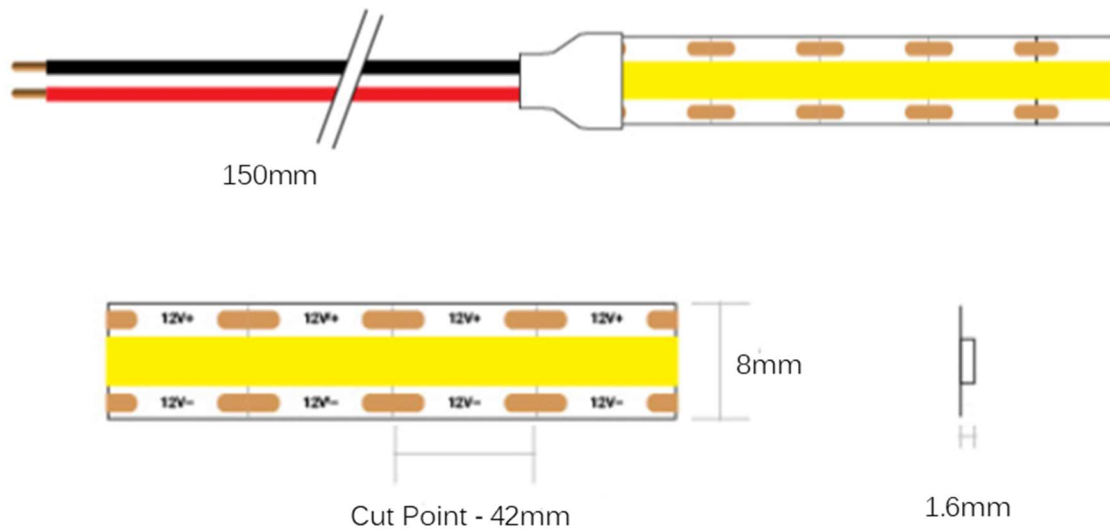
Features

- DC 24v
- High CRI Ra >90
- IP65 & IP67 options available
- 5mtr and 10mtr reel options
- CCT, RGB & RGB-W options

Options

- DALI - **(DA)**
- 3hr remote emergency facility - **(CV-M3)**
- Casambi Wireless Control - **(BTC)**

Dimensions



Product Code

| | |
|----------------------------|--|
| SBL-0621-COB-504-X-** | 8mm, 504 COB tape 12w/m, 1080lm/m, 24v, 180° single colour |
| SBL-0922-COB-526-X-10mm-** | 10mm 528 COB tape 15w/m, 1500lm/m, 24v, 180° single colour |
| SBL-COB-RGB-840-DC24V | 10mm RGB tape, 15w/m, 600lm/m, 24v, 180° colour change |
| SBL-COB-CCT-640-DC24V | 10mm CCT tape, 8w/m, 800lm/m, 24v, tri-colour 2700-6500K |
| SBL-COB-RGBW-896-DC24V | 12mm, RGBW, 16w/m, 32.5lm/m, 24v, colour change + White |

Suffix ** with CCT required: 27K (2700) 3K (3000) 4K (4000) 6K (6500)

Surface mounted linear with steel base, moulded end caps, hinged opal polycarbonate diffuser

- Classrooms
- Canteens
- Offices
- Hospitals
- Workshop
- Retail



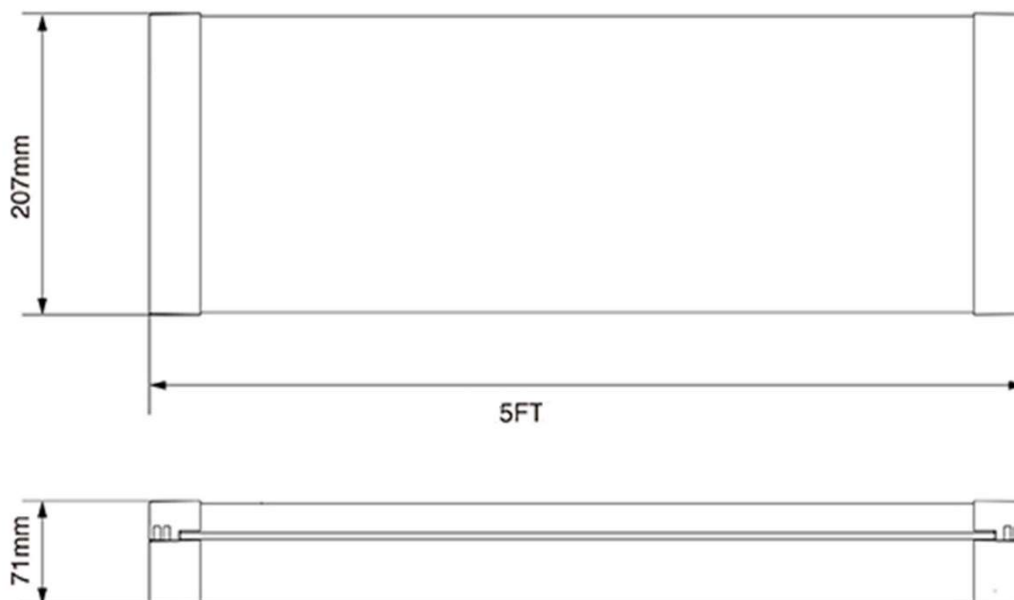
Features

- Steel Base
- Hinged opal UV stabilised polycarbonate diffuser
- CCT Switchable
- Wattage Selectable
- IP20

Options

- Integrated 3hr emergency -Standard **(M3)** – Self-Testing Emergency **(STE)**
- Microwave Sensor **(MW1)**
- Casambi Wireless Control **(BTC)**

Dimensions



Product Code

STM-WS-CCT-WH

Stamford, wattage selectable with switchable CCT

| | | | | | |
|-------|-------|--------|-------|-------|--------|
| - 25w | 200mA | 3500lm | - 31w | 250mA | 4450lm |
| - 37w | 300mA | 5530lm | - 45w | 350mA | 6200lm |

** Suffix end of code (**M3**) for emergency facility or (**MW1**) for Microwave Sensor or (**BTC**) for Casambi Wireless Control

Example: STM-WS-CCT-WH-BTC

Stamford c/w Casambi Wireless control

Surface/Wall mounted non-corrosive c/w opal polycarbonate diffuser & stainless steel clips

- Car Park
- Boiler Room
- Bike Shed
- Industrial
- Workshop
- Laundry



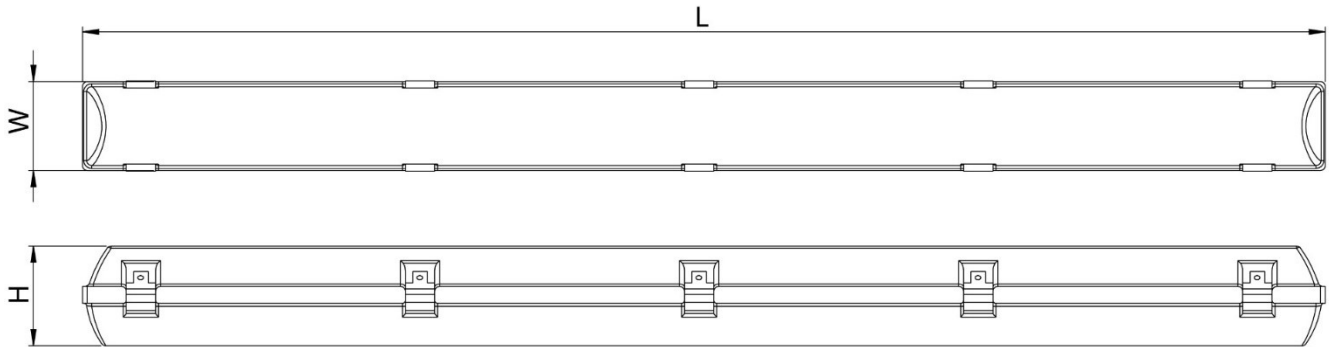
Features

- UPVC moulded housing
- Opal UV stabilised polycarbonate diffuser
- Stainless Steel clip
- IK10 – BSEN 2262
- IP65

Options

- Integrated 3hr emergency -Standard **(M3)** - Self Testing Emergency **(STE)**
- DALI Monitor Emergency **(D3)**
- DALI **(DA)**
- Batten mounted PIR Sensor **(BPIR)**
- Mirco-wave Sensor **(MW1)**

Dimensions



Dimensions – 'W' Single 96mm – Twin 146mm x 'H' 111mm

Product Code

| | |
|----------------|---|
| VN-15-4K-65-OP | VENTNOR, 15w, 2,268lm, 662mm body, opal diffuser |
| VN-18-4K-65-OP | VENTNOR, 18w, 2,674lm, 662mm body, opal diffuser |
| VN-26-4K-65-OP | VENTNOR, 26w, 3,742lm, 1275mm body, opal diffuser |
| VN-36-4K-65-OP | VENTNOR, 36w, 5,348lm, 1275mm body, opal diffuser |
| VN-31-4K-65-OP | VENTNOR, 31w, 4,676lm, 1575mm body, opal diffuser |
| VN-45-4K-65-OP | VENTNOR, 45w, 6,685lm, 1575mm body, opal diffuser |
| VN-59-4K-65-OP | VENTNOR, 59w, 8,666lm, 1575mm body, opal diffuser |

** Suffix end of code (**M3**) for emergency facility or (**BPIR**) PIR Sensor or (**BTC**) for Casambi Wireless Control

**Example: VN-31-4K-65-BPIR Ventnor 31w c/w Batten mounted PIR Sensor