

- Meeting Rooms
- Point of Display
- Gallery
- Schools



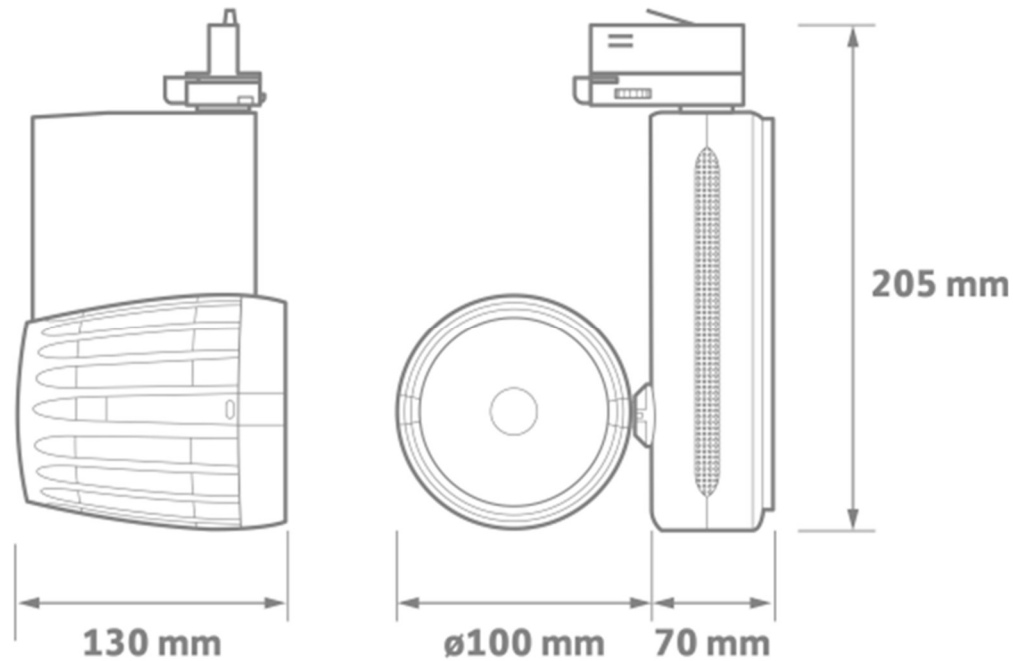
Features

- High performance, high output, LED track spotlight
- 40° multi-faceted reflector as standard
- Highly efficient passive heat sink
- RAL 9016 white with RAL9007 grey heat sink as standard
- Compatible with Global Trac, Stucchi and Eutrac systems
- DALI dimming option
- Life >55,000 hours (L80/F10)

Options

- Black body, grey heat sink **(BKGY)**
- SwitchDIM, DALI or DSI **(ECO)**
- 25° Narrow Beam **(NB)**
- 60° Wide Beam **(WB)**
- Barn Dorrs **(BD)**
- Snoot **(SN)**

Dimensions



Product Code

C130T-1100-4K-WH	CAPRI 130T, 11.5w, 1250lm, 4K, finished white/grey
C130T-1900-4K-WH	CAPRI 130T, 19.5w, 1925lm, 4K, finished white/grey
C130T-2600-4K-WH	CAPRI 130T, 27.0w, 2600lm, 4K, finished white/grey
C130T-3700-4K-WH	CAPRI 130T, 43.5w, 3725lm, 4K, finished white/grey

** Suffix 4K to 3K FOR 3000 Kelvin

Example: C130T-1100-4K-WH-ECO

Capri 130T, 1100lm, 4K, finished white/grey c/w DALI dimming