

Surface / Suspended LED, steel base, epoxy powder coated c/w micro-prism optic UGR<19 & captive end caps

- Classrooms
- Offices
- Hospitals
- Meeting Rooms
- Atriums



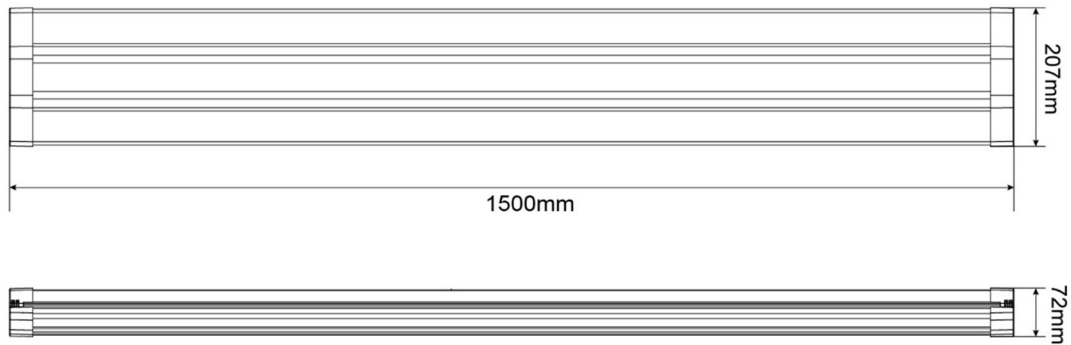
Features

- Steel fabricated body epoxy powder coated all RAL options available
- Stand-alone
- Micro-Prism optic UGR<19
- Tridonic LED and driver system for optimum performance
- IK05

Options

- Opal PMMA – **(OP)**
- Tuneable white – **(TW)**
- DALI – **(DA)**
- Casambi wireless bluetooth control **(BTC)**
- Standard 3hr emergency – **(M3)**
- DALI monitored emergency – **(D3)**
- Suspension Kit – **(SUS-2M)**

Dimensions



Product Code

STM-UGR-SW-4K-WH

Stamford, Switchable power 27 - 45w, 3500 – 6500lm, 4K

** Suffix 4K to 3K for 3000 Kelvin

** Example: STM-UGR-SW-4K-WH-BTC

Stamford switchable power, 4000K, c/w Casambi wireless control